



FR-10

Fire Retardant Slipsheet



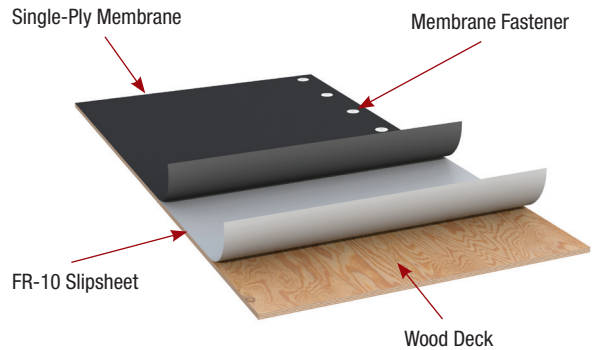
PRODUCT DATA SHEET



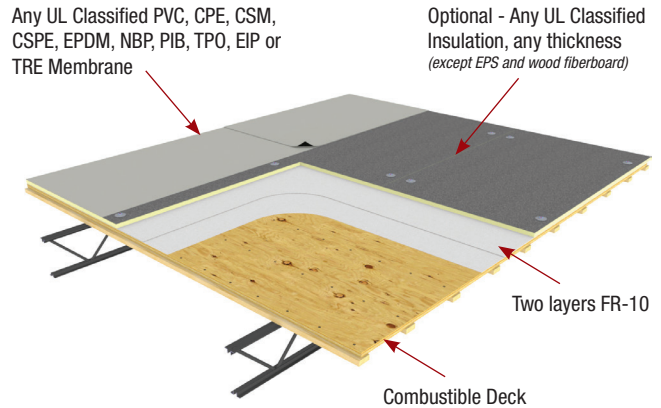
TYPICAL COMBUSTIBLE DECK/METAL ROOF APPLICATION

Class B Assembly over Combustible Deck

(If tear-off, or when H-clips are used, 2 layers of FR-10 Slipsheet are required)

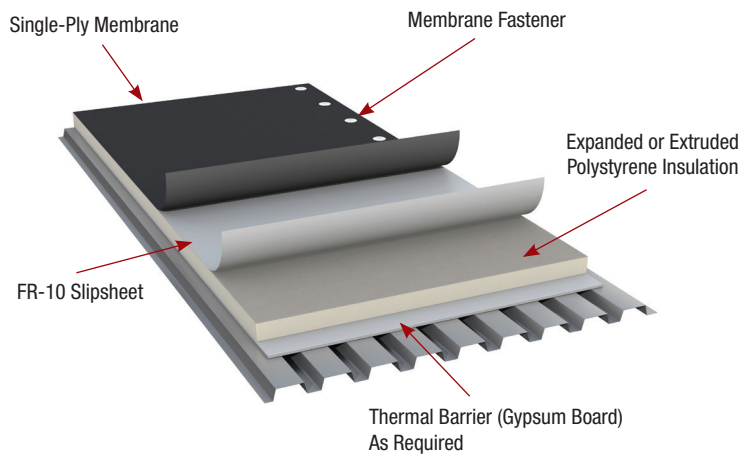


Class A Assembly over Combustible Deck



TYPICAL STEEL DECK & POLYSTYRENE INSULATION

Class A Assembly over Steel Deck



DESCRIPTION

FR-10 fire retardant slipsheets enhance the overall fire performance of many single-ply commercial roof systems. FR-10 is a coated-glass fiber mat specifically designed for installation over combustibles (wood) decks, or over certain EPS/XPS insulations.

BASIC USES

FR-10 is specifically formulated for use over combustibles (wood) decks, or over certain EPS/XPS insulations. The proprietary flame-retardant coating and glass-fiber mat provide protection against flame spread and flame penetration through the roof system. FR-10 may be installed in roofing assemblies to achieve specific Class A and Class B fire resistance ratings.

SUPPLEMENTAL INFORMATION

- Superior Protection Against Flame Spread and Penetration
- A Lightweight and Easy-To-Install Roof System Component

PACKAGING

Factory-applied packaging is intended solely for protection during transit. When stored outdoors or on the job site, the slipsheet rolls should be stacked on pallets at least four inches above ground level and completely covered with a weatherproof covering such as a tarpaulin.

STANDARD SIZES

SQUARES/ROLL	COVERAGE WITH 2" LAP	ROLL SIZE	ROLL WEIGHT
10 Squares (1,000 sq. ft.)	9.64 Squares (964 sq. ft.)	48.25" x 250'	96 lbs.



FR-10

Fire Retardant Slipsheet



PRODUCT DATA SHEET

TENSILE PROPERTIES

PROPERTY	TEST METHOD	RESULTS
Machine Direction	TAPPI T 1009 om-06	37 lbs./in.
Cross Machine Direction	TAPPI T 1009 om-06	27 lbs./in.

CODE APPROVALS/COMPLIANCE

- Part of a “Class A” Roof Assembly when installed over combustible (wood) roof decks
- Part of a “Class A” Roof Assembly when installed over certain EPS/XPS insulations
- Refer to UL Product iQ™ or FM Approvals RoofNav for specific system approvals
- “Class A” assemblies vary depending upon membrane type and slope of the roof. Contact manufacturer for specific system approvals

INSTALLATION INSTRUCTIONS

Mule-Hide Fire Retardant Slipsheets are lightweight, easy to handle and, therefore, quicker to install than thermal barriers or coverboards. The slipsheet should be rolled out, overlapping the side and end of the preceding sheet a minimum of two (2) inches. The patented coating generally provides enough weight to anchor the sheet until the membrane and/or insulation is installed. Mechanical securement prior to insulation and/or membrane attachment may be necessary under windy conditions. When necessary, preliminary securement of the FR-10 Slipsheet shall be accomplished with approved Mule-Hide fasteners suited for wood decks in conjunction with Mule-Hide insulation plates. Install only as much FR-10 Slipsheet that can be covered with a completed roof system by the end of the day. The FR-10 Slipsheet cannot come in contact with moisture.

PRECAUTIONS

- If insulation or cover board is not installed above the FR-10 slipsheet, then the decking must be secured with screws, or threaded backout resistant fasteners. In addition, the deck surface must be smooth (no protrusions). Decks attached with common or cement coated nails or staples shall be covered with an approved insulation.
- Voids greater than 1/4" wide in the substrate are not permitted. Such defects must be corrected prior to application of the roofing membrane.

PROTECTION & SAFETY

Mule-Hide maintains Safety Data Sheets on all of its non-exempt products. Safety Data Sheets contain health and safety information for your development of appropriate product handling procedures to protect your employees and customers. Mule-Hide’s Safety Data Sheets should be read and understood by all of your supervisory personnel and employees before using Mule-Hide products in your facilities.

ADDITIONAL INFORMATION

On projects where a Mule-Hide Standard or Premium Warranty is requested, an authorized Mule-hide representative shall inspect all completed work.

The information given on this PDS is subject to change without notice. Always check the Mule-Hide website at www.mulehide.com for the latest information, changes and updates or contact Mule-Hide Products Company at 800-786-1492.

DISCLAIMER

The statements provided concerning the material shown are intended as a guide for material usage and are believed to be true and accurate at the time of printing. No statement made by anyone may supersede this information, except when done in writing by Mule-Hide Products Co., Inc. Since the manner of use is beyond our control, Mule-Hide does not authorize anyone to make any warranty of merchantability or fitness for any particular purpose or any other warranty, guarantee or representation, expressed or implied, concerning this material. This product may be eligible for a Mule-Hide warranty, please check the Mule-Hide website at www.mulehide.com or contact Mule-Hide directly at 800-786-1492 for details. Buyer and user accept the product under these conditions and assume the risk of any failure, any injury person or property (including that of the user), loss or liability resulting from the handling, storage or use of the product whether or not it is handled, stored or used in accordance with the directions or specifications. Mule-Hide must be notified in writing of any claims and be given the opportunity to inspect the alleged failure before repairs are made.