



Cant Strip & Tapered Edge

Roof Transition Components



PRODUCT DATA SHEET

DESCRIPTION

CANT STRIP and TAPERED EDGE are widely accepted, high-quality low-slope roofing products. Each is durable, lightweight and environmentally friendly. These components are factory fabricated from BLUE RIDGE FIBERBOARD's STRUCTODEK insulation board. The CANT STRIPS are cut at angles that provide a true 45-degree angle between horizontal and vertical surfaces. The TAPERED EDGE is cut at angles that slope from zero on one edge to 1/2" to 2" thickness on the opposite edge.

BASIC USES

Both the CANT STRIP and the TAPERED EDGE offer excellent transition and sloping properties which are compatible with most conventional roof systems (see membrane manufacturer for approval).

CANT STRIPS provide a smooth transition from horizontal to vertical surfaces.

TAPERED EDGE strips are designed for a smooth transition from lower to higher elevations. The taper is manufactured to enhance roof drainage and reduce ponding water wherever there is a change in elevations. Easily fabricated for installation around roof edges, drains or in locations where a slope to 0" is required.

BENEFITS AND SUPPLEMENTAL STATEMENTS

- More durable than perlite
- High R-value
- Dimensionally stable
- Environmentally friendly, 100% recyclable woodfiber
- May contribute to LEED credits
- Cuts with a knife; lightweight; contractor preferred

SPECIFICATIONS

- Conforms to ASTM C 208, Type II - Roof insulation board

MEASUREMENTS

CANT STRIP		
Product Name	Specific Measurements	Shape
1" x 3"	1" T x 2-3/4" F x 48" L	
1" x 4"	1" T x 3-3/4" F x 48" L	
1-1/2" x 4"	1-1/2" T x 3-5/8" F x 48" L	
1-1/2" x 5"	1-1/2" T x 5" F x 48" L	

TAPERED EDGE STRIP		
Product Name	Specific Measurements	Shape
1/2" x 6"	1/2" to 0" T x 6" W x 48" L	
1/2" x 12"	1/2" to 0" T x 12" W x 48" L	
1" x 8"	1" to 0" T x 8" W x 48" L	
1" x 12"	1" to 0" T x 12" W x 48" L	
1" x 18"	1" to 0" T x 18" W x 48" L	
1" x 24"	1" to 0" T x 24" W x 48" L	
1-1/2" x 12"	1-1/2" to 0" T x 12" W x 48" L	
1-1/2" x 18"	1-1/2" to 0" T x 18" W x 48" L	
1-1/2" x 24"	1-1/2" to 0" T x 24" W x 48" L	
2" x 24"	2" to 0" T x 24" W x 48" L	

TECHNICAL DATA

Physical Property	Typical Value	Test Method
Water Absorption	≤10%	ASTM C 209
Transverse Strength at 1.5"	24lbf	ASTM C 209
Tensile Strength (Perpendicular)	500 lbf/ft. ²	ASTM C 209
Density	14-16 pcf	ASTM D 1037
R-Value at 1.5" Thickness	3.5 h-ft. ² - °F/Btu	ASTM C 518



Cant Strip & Tapered Edge

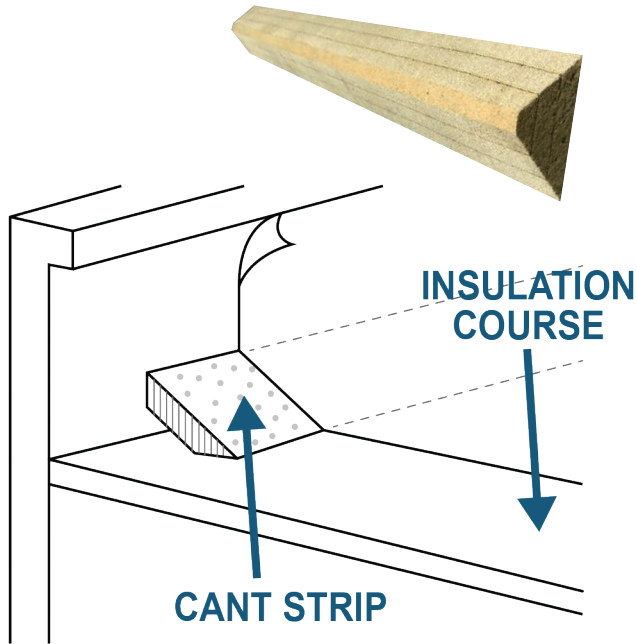
Roof Transition Components



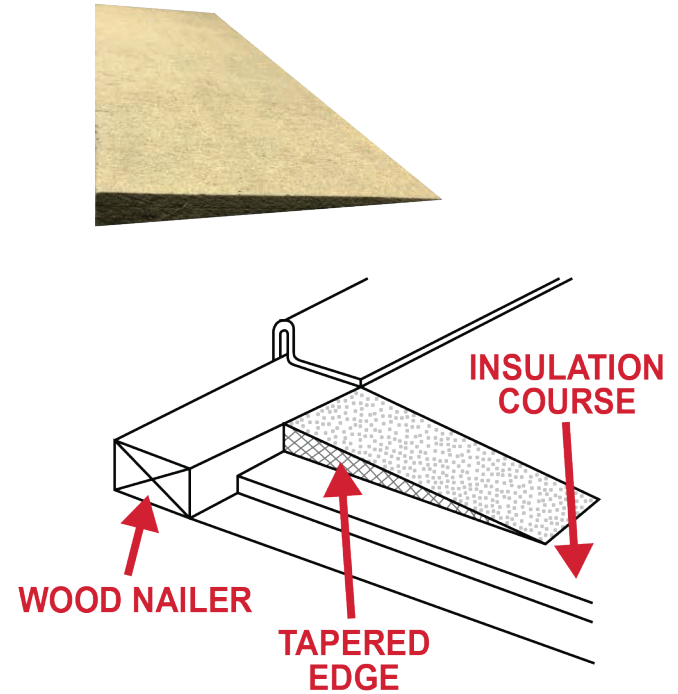
PRODUCT DATA SHEET

APPLICATION

CANT STRIP - Install for a sloping transition of horizontal to vertical surfaces.



TAPERED EDGE - Elevate and slope roof for positive drainage. TAPERED EDGE can be installed on wood, metal, or concrete decks. TAPERED EDGE improves roof drainage, eliminating ponding water and can be used on both new and re-roof projects.



MANUFACTURED BY:



DISCLAIMER

The statements provided concerning the material shown are intended as a guide for material usage and are believed to be true and accurate at the time of printing. No statement made by anyone may supersede this information, except when done in writing by Mule-Hide Products Co., Inc. Since the manner of use is beyond our control, Mule-Hide does not authorize anyone to make any warranty of merchantability or fitness for any particular purpose or any other warranty, guarantee or representation, expressed or implied, concerning this material. This product may be eligible for a Mule-Hide warranty, please check the Mule-Hide website at www.mulehide.com or contact Mule-Hide directly at 800-786-1492 for details. Buyer and user accept the product under these conditions and assume the risk of any failure, any injury person or property (including that of the user), loss or liability resulting from the handling, storage or use of the product whether or not it is handled, stored or used in accordance with the directions or specifications. Mule-Hide must be notified in writing of any claims and be given the opportunity to inspect the alleged failure before repairs are made.