



Rev. Mar 2021

Description:

The Arched Drip Edge provides a smooth finish that is an aesthetically-pleasing alternative to traditional piecing. Membrane coated roof flange enables welding a separate skirt to both the flange and the installed roof membrane to provide a watertight seal. A version utilizing uncoated metal roof flanges is available for use in an EPDM roofing system.

- Manufactured from various metals (See chart below).
- Made in 5' to 10' lengths depending on building's arch specifications.
- Edges are pre-notched for overlapped joint.
- Profiles can be custom-fabricated to meet most specifications.
- Hemmed drip kick to receive splice cleats.

Contact Mule-Hide to request a color chart, samples and information regarding custom metals and finishes.

Energy Efficiency:

LEED® and ENERGY STAR® compliant; 100% recyclable.

Installation:

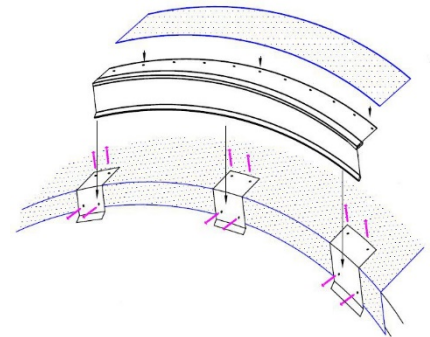
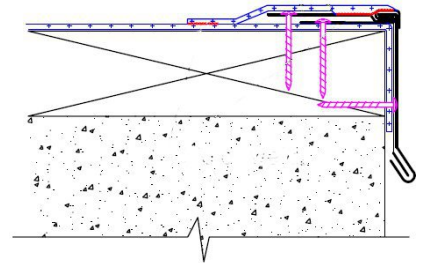
1. A wood nailer is required.
2. This nailer should be attached to the wall in accordance with ANSI/SPRI ES-1 3.9.
3. Install in accordance with Mule-Hide details.
4. Any deviation from the requirements set forth in the detail drawings must be pre-approved, in writing, by the Mule-Hide Technical Department.

Warranty:

Mule-Hide metal accessories are eligible for warranty coverage when properly installed as part of a Standard or Premium warrantable system. Please visit our Web site or call us for more information.

Technical Services:

Product samples, detail sheets, color chips, and a color chart are available for your submittal package. For assistance with questions or submittals, contact your local representative or call Mule-Hide.



Material	Gauge	Finish
Bonderized Steel	24-gauge	N/A
Galvalume	24-gauge	Mill or Kynar®