

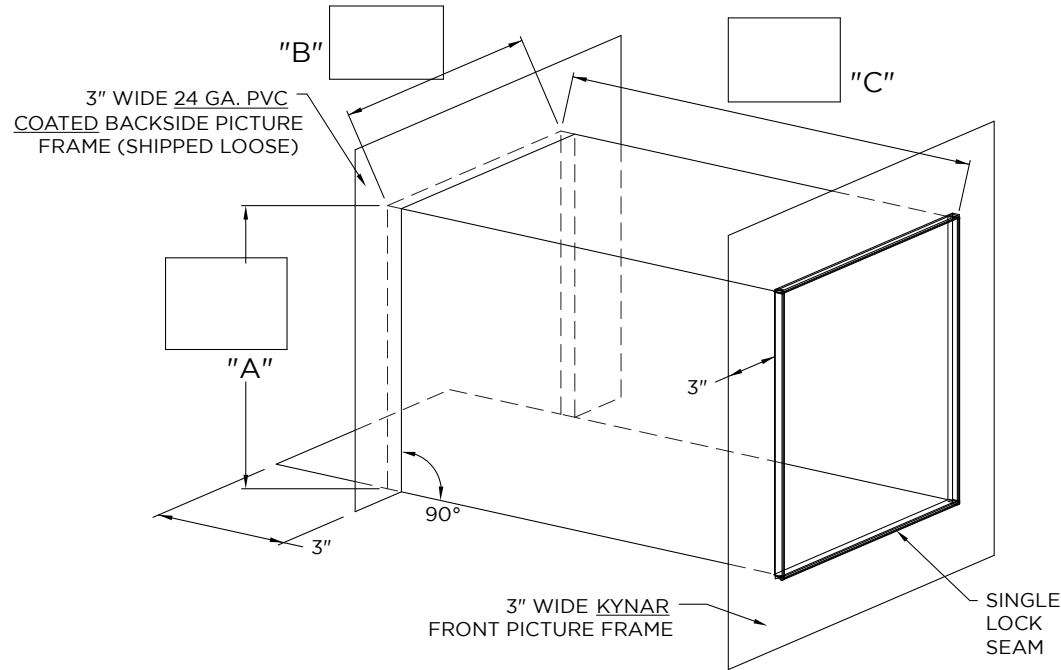


THRU-WALL SCUPPER (CUSTOM)

PVC COATED

NOTES*

- Backside and inside of box is 24 ga. Carlisle PVC coated metal
- Front is Kynar



PROJECT INFO

Project Name: _____

Architect: _____

Roofing Contractor: _____

Project Type:

By selecting this box you have verified and confirmed that dimensions, sizes, and quantities are correct. All products will be installed in strict accordance with printed instructions.

Date: _____

Mule-Hide Products
 1195 Prince Hall Drive
 Beloit, WI 53511
 800-786-1492
 www.mulehide.com

To submit a quote request, please contact your local TM or email mhquotes@metalera.com.

SHT# _____ of _____

DATE: **03/21/24**

DRN BY: **JJC**

CKD BY: **MM**

DWG #: 52018-42354

REV: **A**

DIMENSIONS

PLEASE FILL OUT DIMENSIONS ON DRAWING

MATERIAL (For Front Picture Frame)

- 24 Ga. Galv. Steel Color: _____
- .040" Aluminum Finish: _____
- .050" Aluminum

PVC MANUFACTURER*: CARLISLE

PVC COLOR: WHITE

QUANTITIES

_____ Amount Required