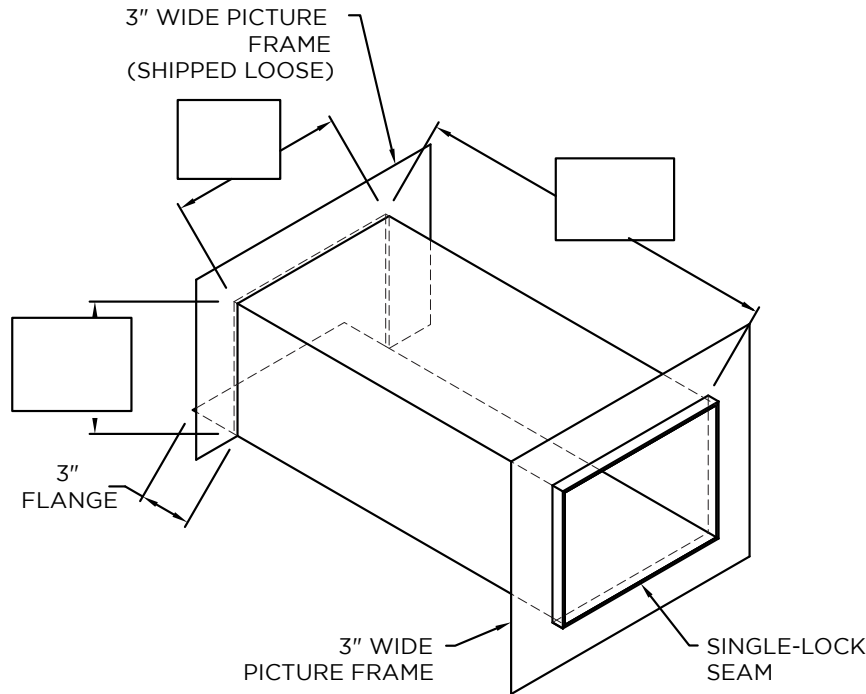




# THRU-WALL SCUPPER

## NOTES

- Product should be installed per provided installation instructions



## PROJECT INFO

Project Name: \_\_\_\_\_

Architect: \_\_\_\_\_

Roofing Contractor: \_\_\_\_\_

### Project Type:

By selecting this box you have verified and confirmed that dimensions, sizes, and quantities are correct. All products will be installed in strict accordance with printed instructions.

SHT# \_\_\_\_\_ of \_\_\_\_\_

DATE: **03/21/24**

Date: \_\_\_\_\_

**Mule-Hide Products**  
 1195 Prince Hall Drive  
 Beloit, WI 53511  
 800-786-1492  
 www.mulehide.com  
 To submit a quote request, please contact your local TM or email mhquotes@metalera.com.

DRN BY: **JJC**

CKD BY: **MM**

DWG #: **52018-42353**

REV: **A**

## DIMENSIONS

PLEASE FILL OUT DIMENSIONS ON DRAWING

## MATERIAL

- 24 Ga. Galv. Steel
- .040" Aluminum
- .050" Aluminum

Color: \_\_\_\_\_

Finish: \_\_\_\_\_

## QUANTITIES

\_\_\_\_\_ Amount Required