

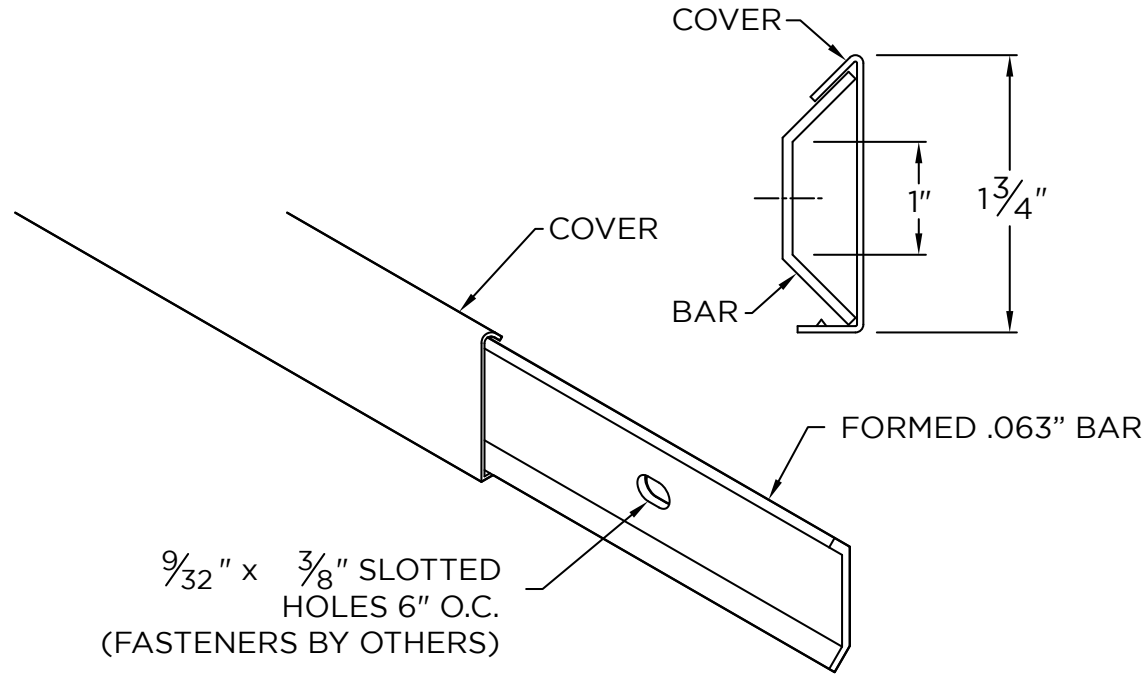


# 1 3/4" FASCIA COVER

## FORMED BAR WITH COVER

### NOTES

- Cover provided with lap joints
- ANSI/SPRI/FM 4435/ES-1 Test Pressure up to 360 psf



9/32" x 3/8" SLOTTED HOLES 6" O.C.  
(FASTENERS BY OTHERS)

### APPROVALS

**ANSI/SPRI/FM 4435/ES-1**  
Test Pressures listed in notes

### PROJECT INFO

Project Name: \_\_\_\_\_

Architect: \_\_\_\_\_

Roofing Contractor: \_\_\_\_\_

**Project Type:**

By selecting this box you have verified and confirmed that dimensions, sizes, and quantities are correct. All products will be installed in strict accordance with printed instructions.

Date: \_\_\_\_\_

**Mule-Hide Products**  
1195 Prince Hall Drive  
Beloit, WI 53511  
800-786-1492  
www.mulehide.com

To submit a quote request, please contact your local TM or email [mhquotes@metalera.com](mailto:mhquotes@metalera.com).

SHT# \_\_\_\_\_ of \_\_\_\_\_

DATE: **03/21/24**

DRN BY: **JJC**

CKD BY: **MM**

DWG #: **52016-42342**

REV: **A**

### MATERIAL

**Bar Material (CB-175F):** .063 Aluminium

**Cover Material (CF-175F):**

- 24 Ga. Galv. Steel      Color: \_\_\_\_\_
- .040" Aluminum      Finish: \_\_\_\_\_

### QUANTITIES

\_\_\_\_\_ Bar Lineal Feet (12'-0" Lengths)

\_\_\_\_\_ Cover Lineal Feet (12'-0" Lengths)