

2-PIECE SNAP-ON COMPRESSION MB

BUILT-UP OR MODIFIED APPLICATION, SNAP-ON VERSION

INSTALLATION INSTRUCTIONS

FOR RADIUS INSTALLATION INSTRUCTIONS SEE PAGE 5

1. INSTALL ALL PLIES OF BUILT-UP ROOFING OR MODIFIED MEMBRANE OVER THE NAILER. ALLOW THE BASE PLY TO OVERHANG ONTO THE FACE OF THE NAILER.

NOTE: FOLLOW GENERAL RECOMMENDATIONS OF THE ROOFING MANUFACTURERS APPLICATION OF THE MEMBRANE OVER THE EDGE.

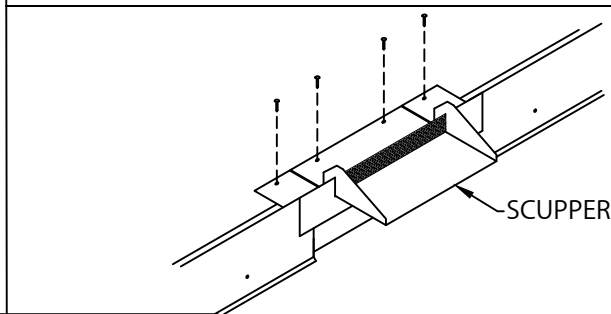
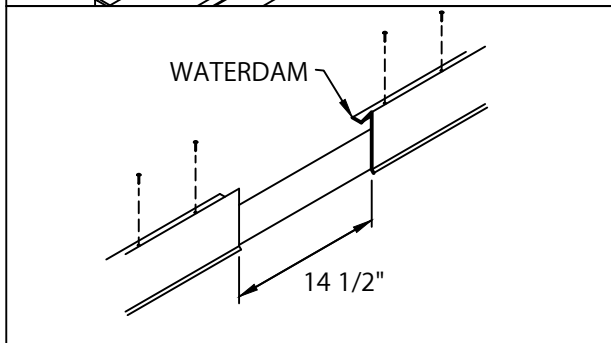
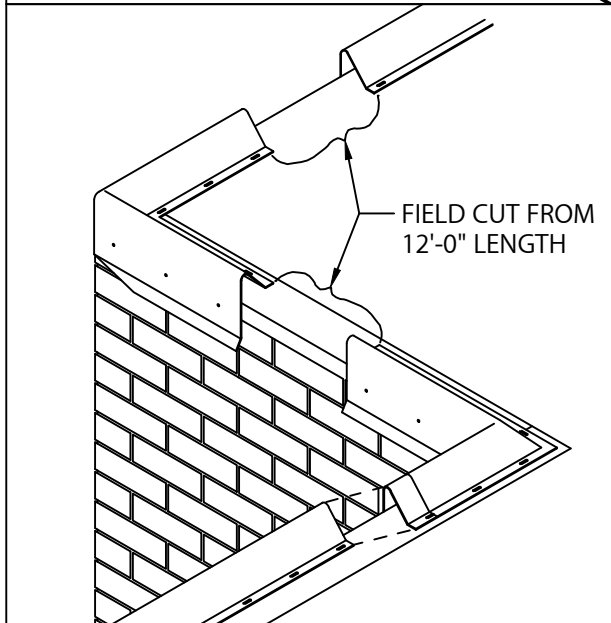
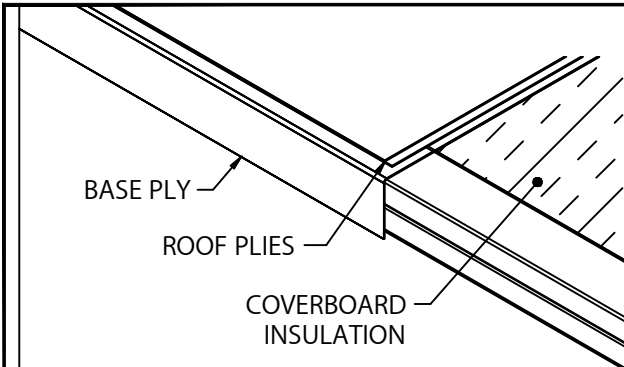
CAUTION: TAKE EXTREME CARE TO AVOID SPILLAGE OF THE ASPHALT OVER THE EDGE.

2. LOCATE AND INSTALL MITERS, FASTEN THROUGH PRE-SLOTTED FASTENING HOLES ON TOP OF NAILER AND OUTSIDE FACE. DETERMINE AND IDENTIFY LOCATION OF SCUPPERS. DO NOT INSTALL SCUPPERS AT THIS TIME. LEAVE GAP OF 14 1/2" INCHES FOR SCUPPER LOCATIONS. THEN INSTALL THE 12'-0" SECTIONS OF WATERDAM FROM RIGHT TO LEFT (AS SEEN FROM ROOF TOP) BY FASTEN THROUGH SLOTTED HOLES PROVIDED PER JOB REQUIREMENTS. FIELD CUT SECTIONS AS NECESSARY. LAP WATERDAM JOINTS 1".

CAUTION: INSTALLERS SHALL WEAR PROTECTIVE EYEWEAR TO PREVENT SERIOUS INJURY.

3. DETERMINE LOCATION OF SCUPPER AND SPACE WATERDAM 14 1/2" APART AS SHOWN. FASTEN WATERDAM FLANGE 6" O.C. WITH PROVIDED FASTENERS.

4. INSTALL SCUPPER WITH PROVIDED FASTENERS. ROOF MEMBRANE IS INSTALLED UNDER SCUPPER. SET SCUPPER FLANGE IN A CONTINUOUS BEAD OF NON-CURING SEALANT (BY OTHERS).



1195 PRINCE HALL DRIVE
BELIOT, WI 53511
800-786-1492
WWW.MULEHIDE.COM

DATE: 04/01/24
DRN BY: MLM
CKD BY: MM

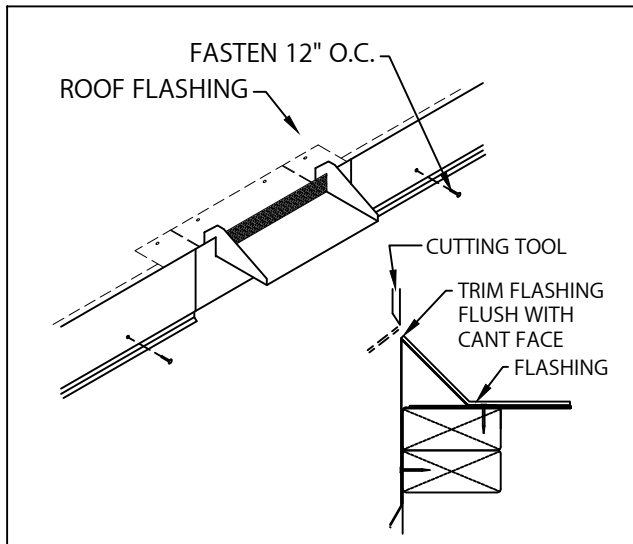
SHT.# 1 OF 6
DWG# 52110-42628

B

2-PIECE SNAP-ON COMPRESSION MB

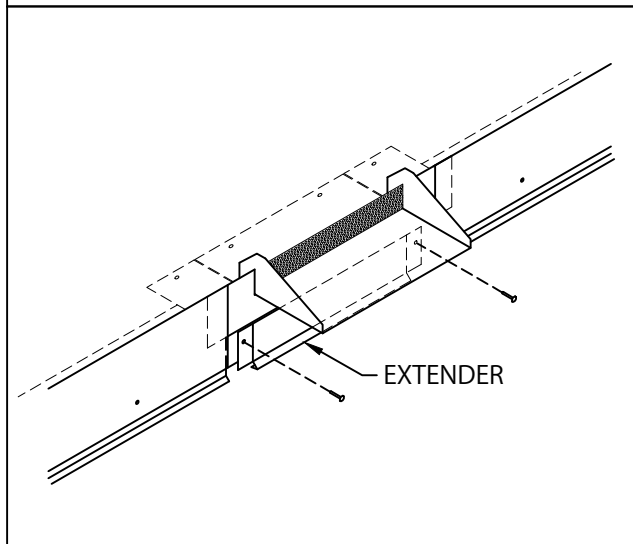
BUILT-UP OR MODIFIED APPLICATION, SNAP-ON VERSION

INSTALLATION INSTRUCTIONS

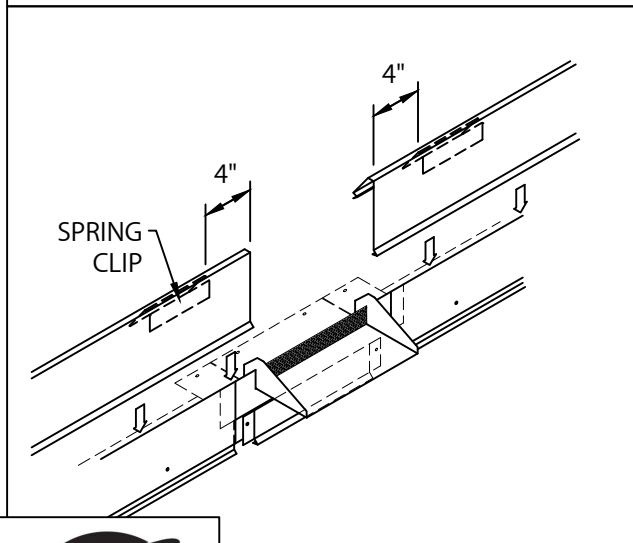


5. POSITION ROOF FLASHING UP FASCIA AND SCUPPER WATERDAM. TRIM FLASHING FLUSH WITH CANT AS SHOWN. FASTEN WATERDAM 12" O.C. THROUGH ALL RAISED FASTENING HOLES ON OUTSIDE FACE USING PROVIDED FASTENERS.

NOTE: FOLLOW GENERAL RECOMMENDATIONS OF THE ROOF MEMBRANE MANUFACTURERS APPLICATION ON STRIPPING IN THE SCUPPER.



6. CENTER EXTENDER BELOW SCUPPER AND FASTEN THROUGH PRE-SLOTTED HOLES WITH PROVIDED FASTENERS AS SHOWN.



7. PLACE SPRING CLIPS 4" FROM END OF FASCIA COVER. INSTALL COVER BY PUSHING DOWNWARD UNTIL FASCIA COVER IS ENGAGED TO WATERDAM. FASCIA COVER SHOULD FIT TIGHT AGAINST SIDES OF SCUPPER.



1195 PRINCE HALL DRIVE
BELIOT, WI 53511
800-786-1492
WWW.MULEHIDE.COM

DATE: 04/01/24
DRN BY: MLM
CKD BY: MM

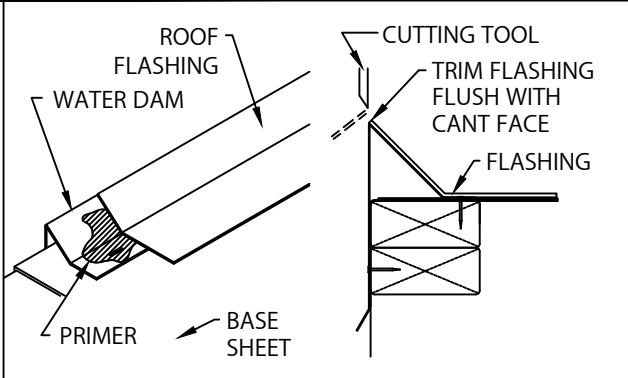
SHT.# 2 OF 6
DWG# 52110-42628

B

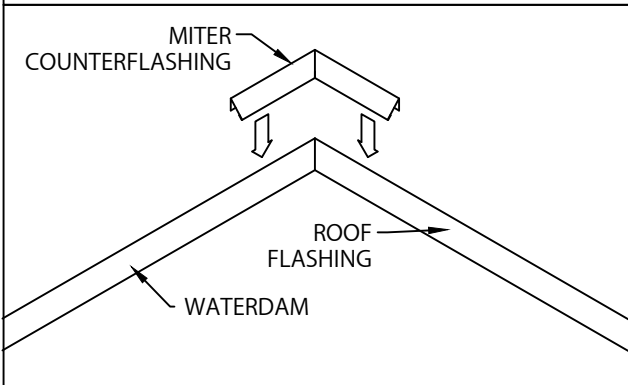
2-PIECE SNAP-ON COMPRESSION MB

BUILT-UP OR MODIFIED APPLICATION, SNAP-ON VERSION

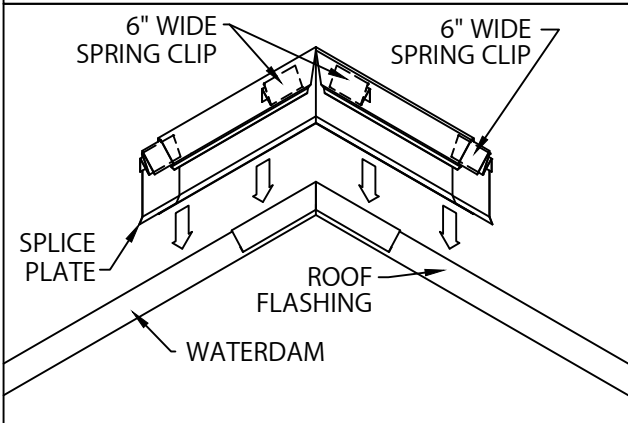
INSTALLATION INSTRUCTIONS



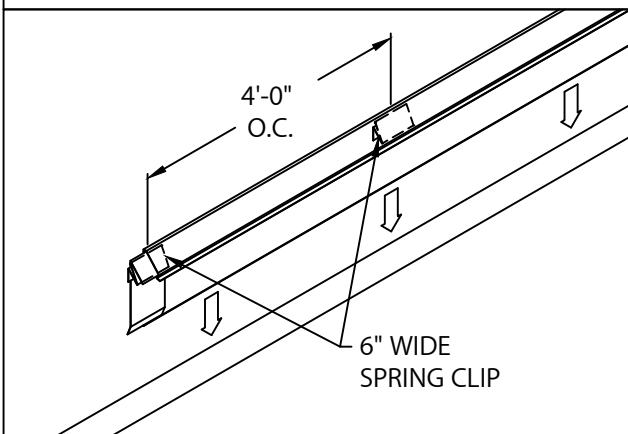
8. USE APPROPRIATE TYPE AND WIDTH OF ROOF MEMBRANE FLASHING. METAL ASPHALT PRIMER IS NECESSARY TO FLASH UP THE CANT OF THE WATERDAM. TRIM OVERHANGING FLASHING FLUSH WITH FACE OF CANT. CONSULT ROOFING MANUFACTURER FOR PROPER MATERIALS PROCEDURE FOR STRIPPING IN WATERDAM WITH FLASHING.



9. PLACE MITER COUNTERFLASHING ON CORNER.



10. INSTALL MITER COVERS FIRST. INSERT ONE SPLICE PLATE AND ONE 6" WIDE SPRING CLIP INTO EACH END OF MITER COVER, HALF EXPOSED (SEE DETAIL BELOW FOR PROPER SPRING INSTALLATION). PLACE TWO 6" WIDE SPRING CLIPS INTO CORNERS OF MITER AS SHOWN. INSTALL MITER COVERS BY PUSHING DOWNWARD UNTIL COVER IS ENGAGED ALONG ENTIRE MITER.



11. INSTALL 12'-0" FASCIA COVER SECTIONS. INSERT ONE SPLICE PLATE AND ONE 6" WIDE SPRING CLIP UNDER FAR END OF FASCIA COVER, HALF EXPOSED. PLACE 6" WIDE SPRING CLIPS INTO COVER AT 4'-0" O.C. INSTALL COVER BY PUSHING DOWNWARD UNTIL FASCIA COVER IS ENGAGED TO WATERDAM ALONG ENTIRE LENGTH. CONTINUE TO INSTALL FASCIA COVERS, LEAVING A 3/8" SPACE BETWEEN COVERS. FIELD CUT WHERE NECESSARY USING FINE TOOTH HACKSAW.

CAUTION: REMOVE PROTECTIVE FILM IMMEDIATELY AFTER INSTALLATION, WHERE APPLICABLE.



1195 PRINCE HALL DRIVE
BELIOT, WI 53511
800-786-1492
WWW.MULEHIDE.COM

DATE: 04/01/24
DRN BY: MLM
CKD BY: MM

SHT.# 3 OF 6
DWG# 52110-42628

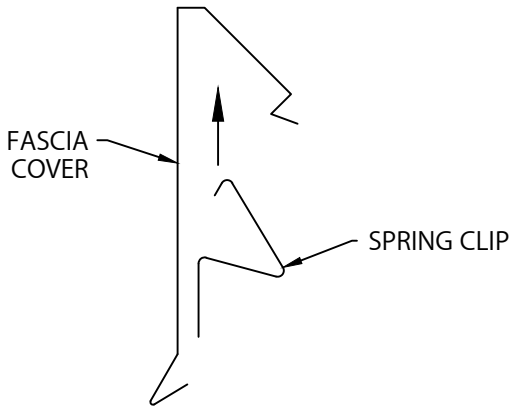
B

2-PIECE SNAP-ON COMPRESSION MB

BUILT-UP OR MODIFIED APPLICATION, SNAP-ON VERSION

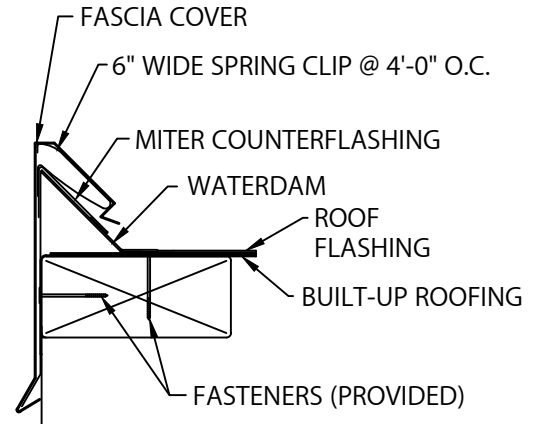
INSTALLATION INSTRUCTIONS

SPRING DETAIL



SIMPLY POSITION SPRING CLIP AS SHOWN AND PUSH STRAIGHT UP INTO COVER UNTIL SNAP LOCK OCCURS.

TYPICAL INSTALLATION



1195 PRINCE HALL DRIVE
BELIOT, WI 53511
800-786-1492
WWW.MULEHIDE.COM

DATE: 04/01/24
DRN BY: MLM
CKD BY: MM

SHT.# 4 OF 6

DWG# 52110-42628

B

2-PIECE SNAP-ON COMPRESSION MB

BUILT-UP OR MODIFIED APPLICATION, SNAP-ON VERSION

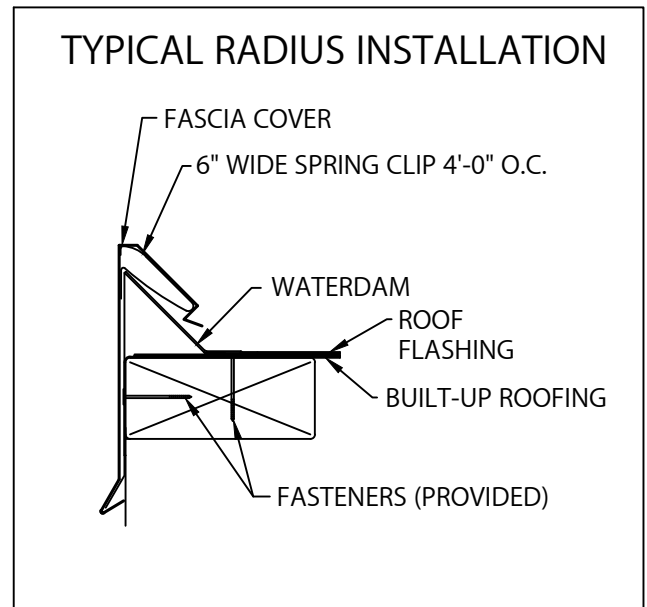
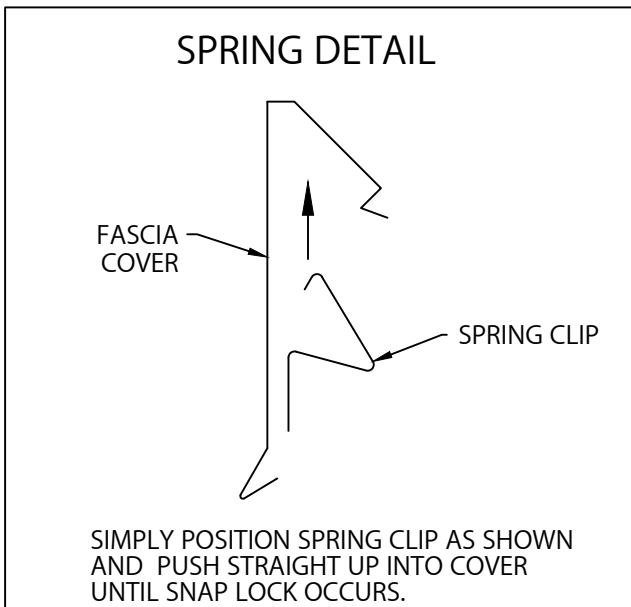
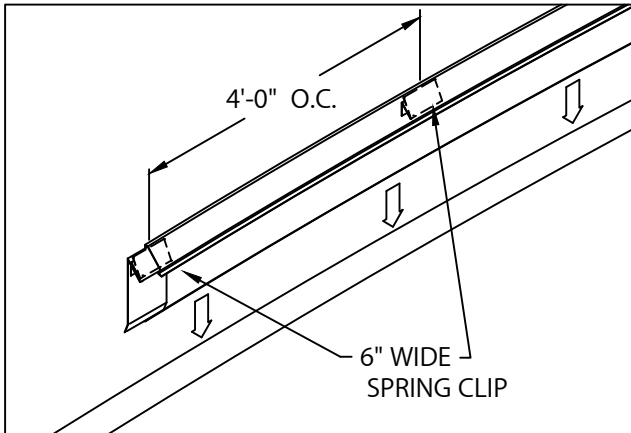
RADIUS INSTALLATION INSTRUCTIONS

RADIUS INSTALLATION INSTRUCTIONS

1. FOLLOW DIRECTIONS ON PAGE 1 FOR INSTALLING WATERDAM AND ROOF MEMBRANE.

2. INSTALL 12'-0" FASCIA COVER SECTIONS. INSERT ONE SPLICE PLATE AND ONE 6" WIDE SPRING CLIP UNDER FAR END OF FASCIA COVER, HALF EXPOSED. PLACE 6" WIDE SPRING CLIPS INTO COVER AT 4'-0" O.C. INSTALL COVER BY PUSHING DOWNWARD UNTIL FASCIA COVER IS ENGAGED TO WATERDAM ALONG ENTIRE LENGTH. CONTINUE TO INSTALL FASCIA COVERS, LEAVING A 3/8" SPACE BETWEEN COVERS. FIELD CUT WHERE NECESSARY USING FINE TOOTH HACKSAW.

CAUTION: REMOVE PROTECTIVE FILM IMMEDIATELY AFTER INSTALLATION, WHERE APPLICABLE.



1195 PRINCE HALL DRIVE
BELIOT, WI 53511
800-786-1492
WWW.MULEHIDE.COM

DATE: 04/01/24
DRN BY: MLM
CKD BY: MM

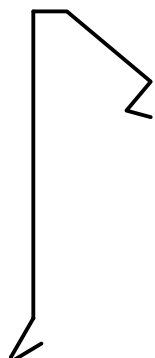
SHT.# 5 OF 6
DWG# 52110-42628

B

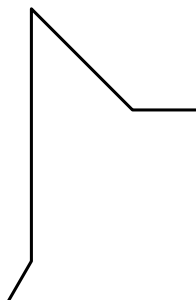
2-PIECE SNAP-ON COMPRESSION MB

BUILT-UP OR MODIFIED APPLICATION, SNAP-ON VERSION

INSTALLATION INSTRUCTIONS



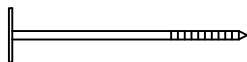
FASCIA COVER
12'-0" LENGTHS



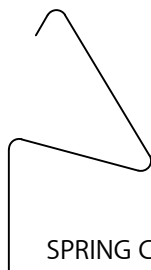
WATERDAM
12'-0" LENGTHS



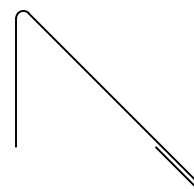
SPLICE PLATE
3 1/2" WIDE



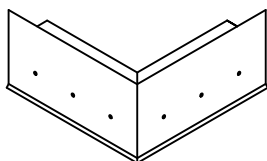
FASTENER



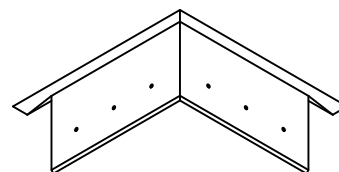
SPRING CLIP
6" WIDE



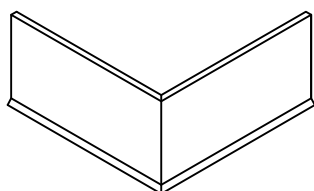
MITER COUNTERFLASHING



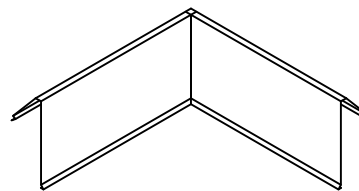
WATERDAM
OUTSIDE MITER



WATERDAM
INSIDE MITER



FASCIA COVER
OUTSIDE MITER



FASCIA COVER
INSIDE MITER



1195 PRINCE HALL DRIVE
BELIOT, WI 53511
800-786-1492
WWW.MULEHIDE.COM

DATE: 04/01/24
DRN BY: MLM
CKD BY: MM

SHT.# 6 OF 6
DWG# 52110-42628

B