

DRIP EDGE

WITH CONTINUOUS CLEAT INSTALLATION INSTRUCTIONS

NOTE : INSTALL MITERS FIRST.

STEP ① INSTALL DRIP EDGE MITERS FIRST. INSERT ONE SPLICE PLATE UNDER EACH END OF MITER WITH HIGH GRADE ARCHITECTURAL SEALANT (BY OTHERS) TO BE FIELD APPLIED TO TOP OF EACH SPLICE AS SHOWN. FASTEN WITH PROVIDED FASTENERS.

HIGH GRADE ARCHITECTURAL SEALANT (BY OTHERS)

① MITER

STEP ② POSITION 12'-0" CONTINUOUS CLEAT SECTIONS UNDER SPLICE PLATE AND MITER THEN FASTEN 12" O.C. AS SHOWN WITH PROVIDED FASTENERS. LAP CONTINUOUS CLEAT 1" AT JOINTS.

STEP ③ INSERT ONE SPLICE PLATE UNDER LEFT END OF 12'-0" DRIP EDGE SECTION WITH SEALANT TO BE FIELD APPLIED TO TOP OF EACH SPLICE PLATE AS SHOWN.

STEP ④ INSTALL 12'-0" DRIP EDGE SECTIONS. HOOK DRIP EDGE OF EACH DRIP EDGE SECTION ONTO CONTINUOUS CLEAT, ROTATE INTO PLACE, AND FASTEN 6" O.C. WITH PROVIDED FASTENERS.

④ 12'-0" DRIP EDGE SECTIONS

② CONTINUOUS CLEAT

③ SPLICE PLATE

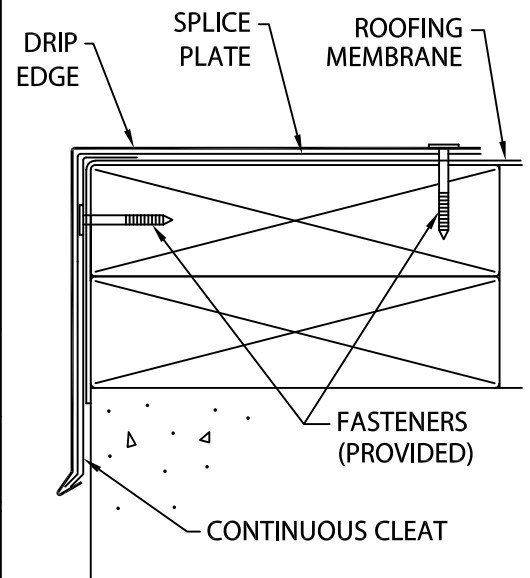
FASTEN DRIP EDGE AND CONTINUOUS CLEAT WITH PROVIDED FASTENERS

⑤ 3/8" SPACE AT EACH JOINT

STEP ⑤ CONTINUE BY INSTALLING DRIP EDGE SECTIONS ALLOWING A 3/8" SPACE BETWEEN SECTIONS AS SHOWN. FIELD CUT AS NECESSARY.

CAUTION : REMOVE PROTECTIVE FILM IMMEDIATELY AFTER INSTALLATION. INSTALLERS SHALL WEAR PROTECTIVE EYEWEAR TO PREVENT INJURY.

TYPICAL INSTALLATION



1195 PRINCE HALL DRIVE
BELIOT, WI 53511
800-786-1492
WWW.MULEHIDE.COM

DATE: 03/25/24

DRN BY: MLM

CKD BY: MM

SHT.# ___ OF ___

DWG# 52110-42585

A