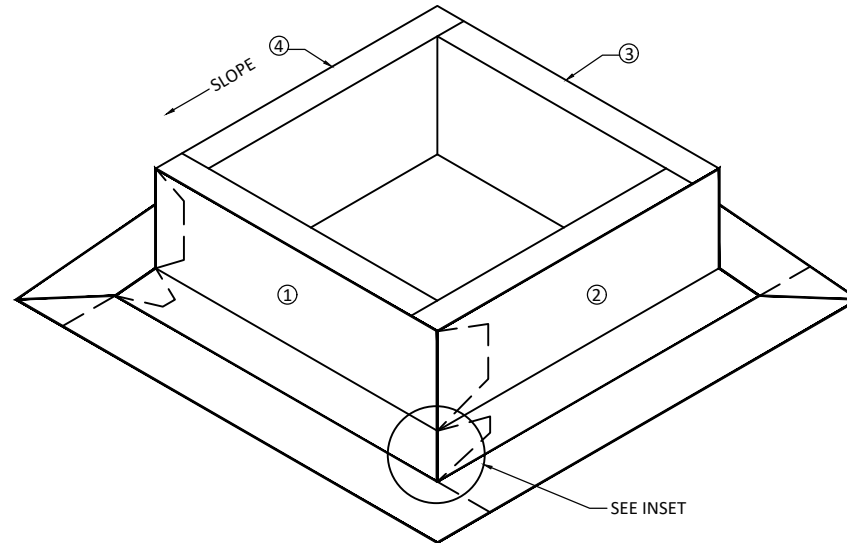
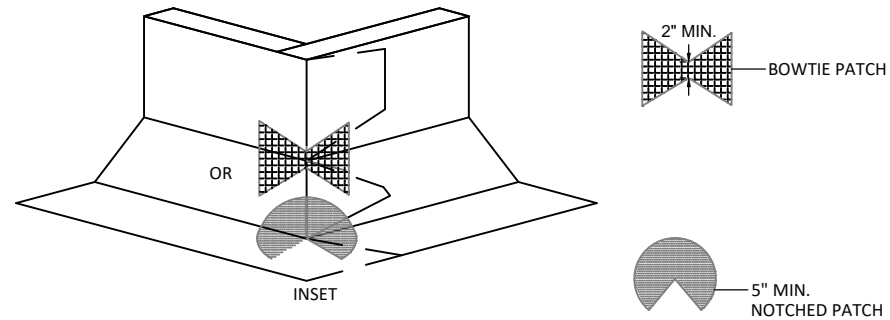


NOTES:

1. Refer to specifications for flashing membrane requirements.
2. Cut membrane and wrap corners as shown.
3. Install bowtie or notched patches as shown in inset to make corners water tight.
4. Flashing may be cut flush with edge of curb (as shown) or double wrapped around corners.



APPLICABLE SYSTEMS (AND MEMBRANES):
SELF ADHERED
TORCH APPLIED

MULEHIDE

OUTSIDE CORNER ISOMETRIC

MAXIMUM WARRANTY:
20 YEARS MAX

DETAIL NO.:
MB-CR-A700

REVISION DATE: 6/8/2026