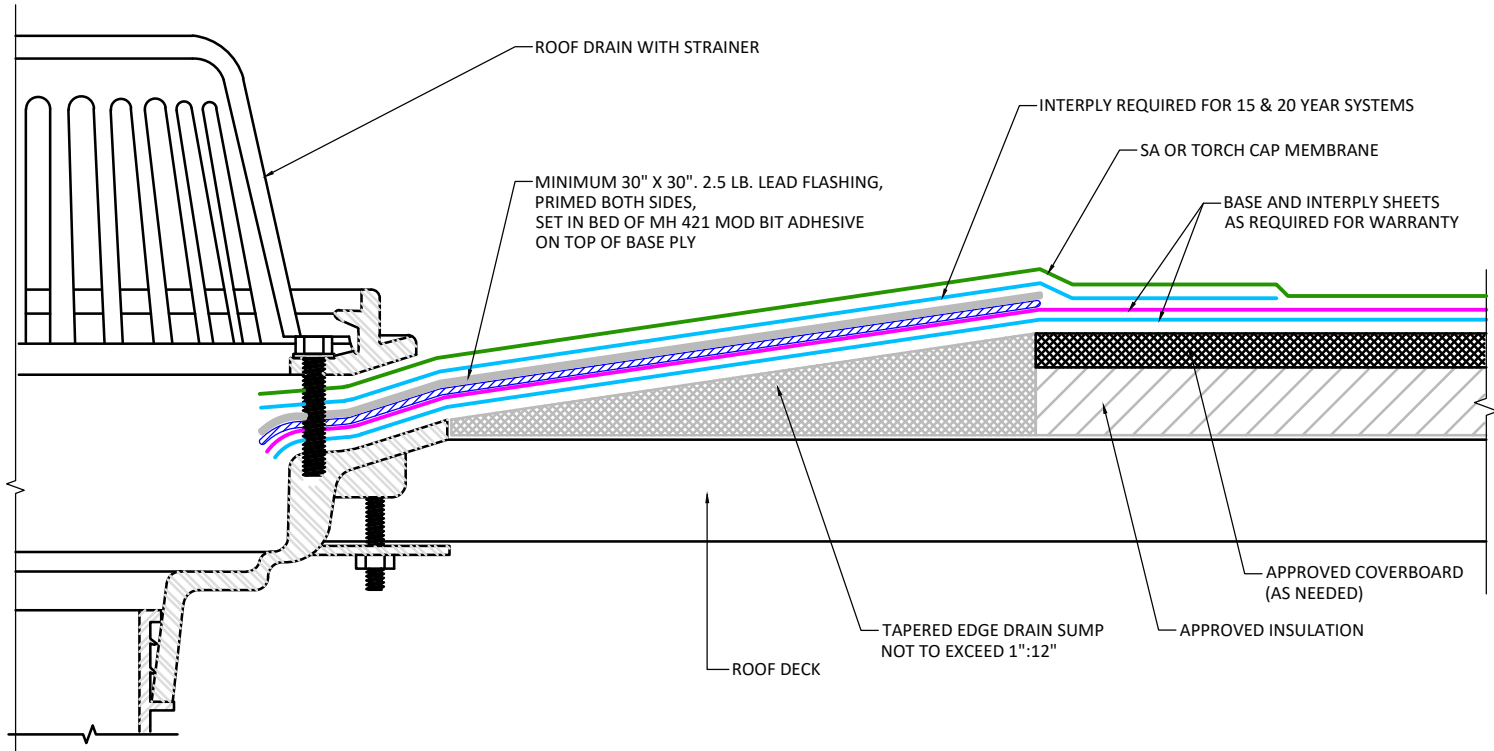


NOTES:

1. Refer to specifications for flashing membrane requirements.
2. If drain sump is greater than 1":12" slope, a retrofit drain insert must be used.
3. A target patch of smooth surfaced modified bitumen is required if a field seam is within 6"-9" of clamping ring.
4. No seam can be less than 6" from the drain clamping ring.



APPLICABLE SYSTEMS (AND MEMBRANES):
 SELF ADHERED
 TORCH APPLIED

MULEHIDE

ROOF DRAIN

MAXIMUM WARRANTY:
 20 YEARS MAX

DETAIL NO.:

MB-DR-A403

REVISION DATE: 6/8/2026