

FIGURE 1
 INSTALLATION USING 12" O.C. BEADS ON 4' X 4' BOARDS

* MAXIMUM 4'X4' INSULATION BOARDS WHEN ADHESIVE IS DISPENDED AT 12" ON CENTER OR WHEN BOARDS EXCEED 4" THICKNESS

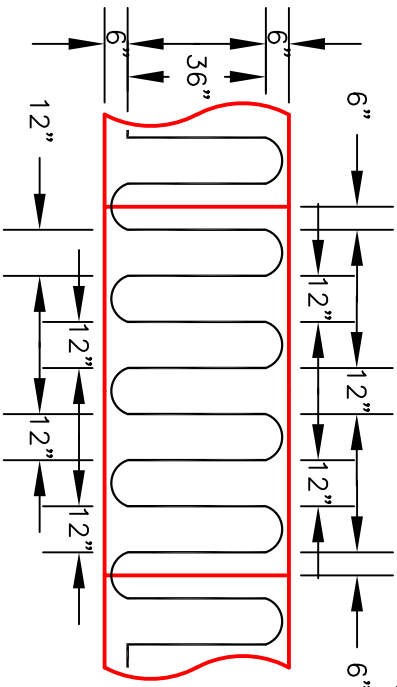


FIGURE 3
 INSTALLATION USING 12" O.C. BEADS ON 4' X 8' BOARDS

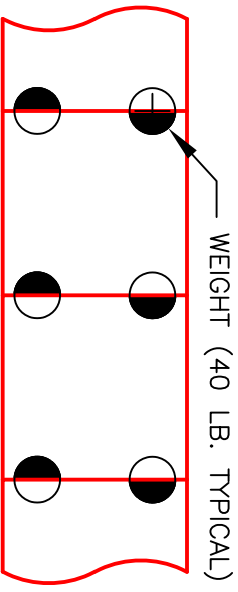


FIGURE 2
 RECOMMENDED WEIGHT PLACEMENT ON 4' X 4' BOARDS

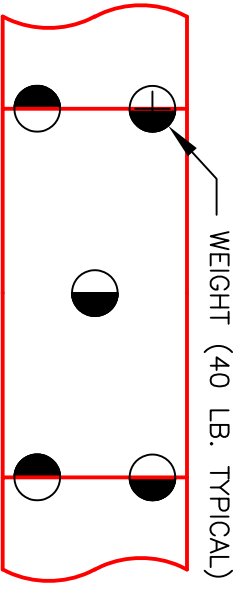


FIGURE 4
 RECOMMENDED WEIGHT PLACEMENT ON 4' X 8' BOARDS

* SEE HELIX or HELIX MAX PRODUCT DATA SHEET FOR COVERAGE RATES

MULE-HIDE PRODUCTS CO., INC.

HELIX or HELIX MAX FOAM ADHESIVE 12" RIBBON PATTERN SYSTEMS:

ALL SYSTEMS

DETAIL NO.: MHHA-JN-12

REVISION DATE: 02/03/2025