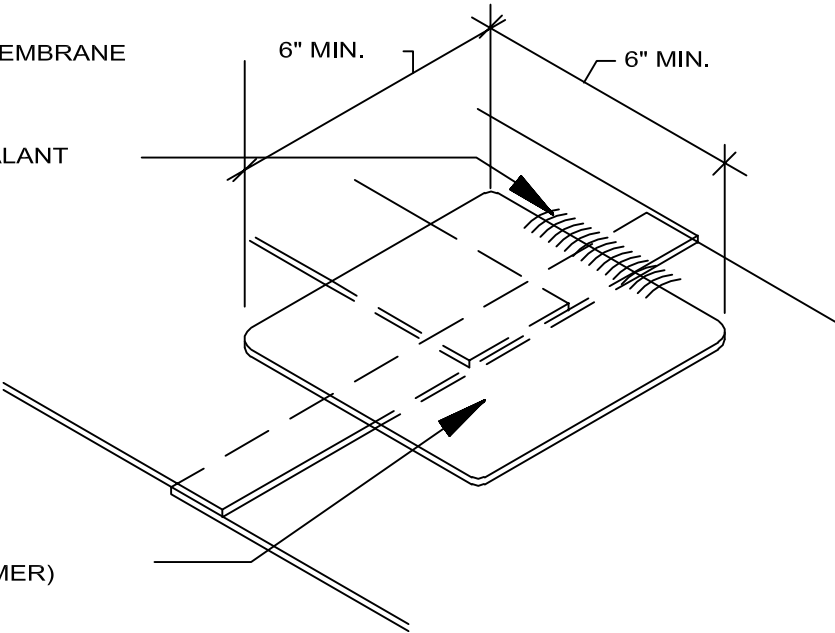
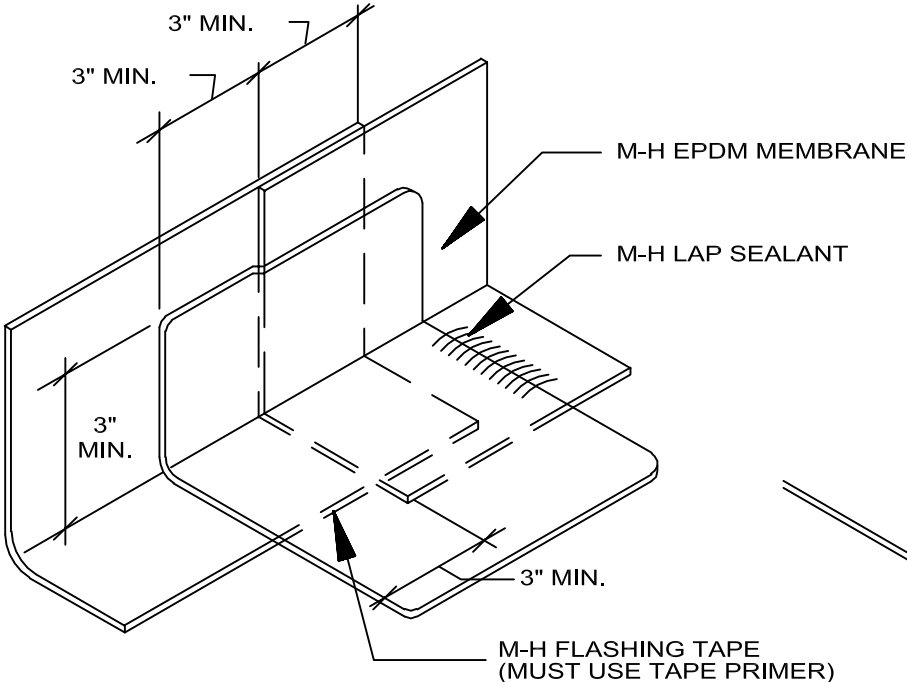


NOTE: LAP SEALANT MUST BE APPLIED
ALONG ALL EDGES OF PATCH



**MULE-HIDE
PRODUCTS CO., INC.**
04/01/2004

END LAP & T-JOINT DETAIL

SYSTEMS:
ALL

DETAIL NO.:
MHE-118