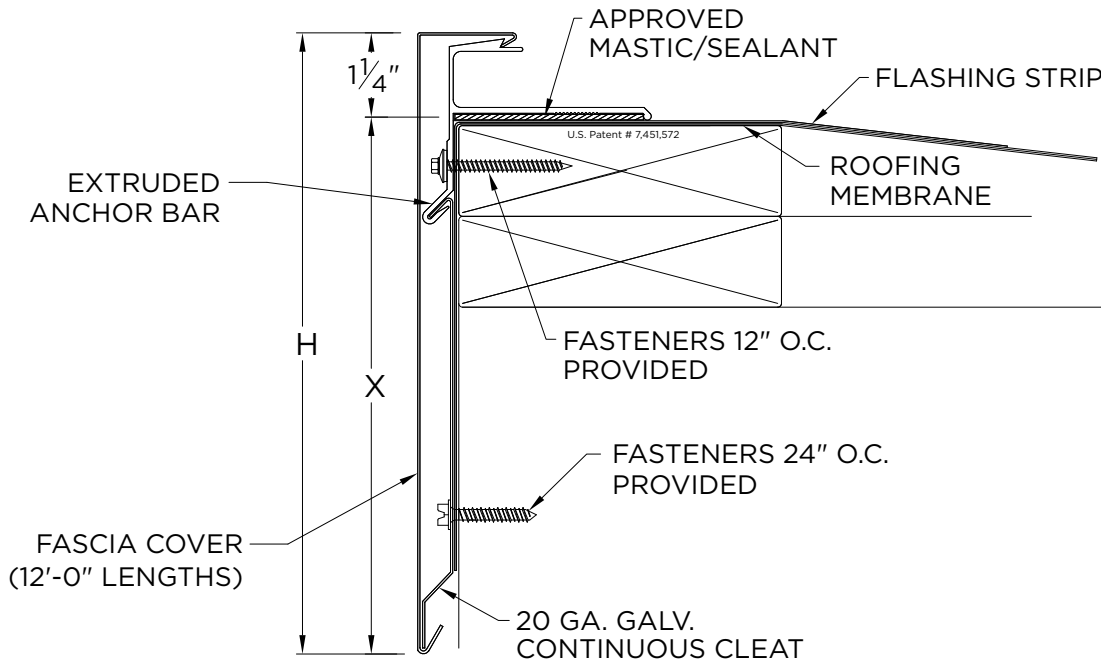


(;7(1'(' (;758'(' )\$6&,\$ 0%  
 %8,/7 83 25 02',),( ' 9(56,21

127(6

- Fascia cover provided with splice plates
- For non-90 miters, see separate print approval
- Product should be installed per provided installation instructions
- ANSI/SPRI/FM 4435/ES-1 Test Pressure up to 176 psf



\$33529\$/6

\$16,635, )0 (6  
 Test Pressures listed in notes

352-( &7 , 1 ) 2

Project Name: \_\_\_\_\_

Architect: \_\_\_\_\_

Roofing Contractor: \_\_\_\_\_

**3URMHFW**

By selecting this box you have verified and confirmed that dimensions, sizes, and quantities are correct. All products will be installed in strict accordance with printed instructions.

Date: \_\_\_\_\_

OXOHLGH  
 1SODFBMMSJ WF  
 #FMPUB\*

XXXNVMFIEFDPN  
 7RVXEPLWDXRWVHUHTXHVWSOHVH  
 FRWDFWRXUORFDO7ORUHPDLO  
 PKTXRWVHV#PHWDOHUDFRP

4)5 @@@@ @ P G

% " 5 & @@@@ @ @

DRN BY: -- &

CKD BY: 00

DWG #: 52010-44176

3 & 7 @ @ @ @ @ @ @ @

' , 0 ( 1 6 , 2 1 6

0 \$ 7 ( 5 , \$ /

PRODUCT ID. NO.	H DIM	X DIM	NAILER COVERAGE
<input type="checkbox"/> AEFM-85	8 1/2"	7 1/4"	4 NAILERS
<input type="checkbox"/> AEFM-100	10"	8 3/4"	5 NAILERS
<input type="checkbox"/> AEFM-115	11 1/2"	10 1/4"	6 NAILERS
<input type="checkbox"/> AEFM-130	13"	11 3/4"	7 NAILERS

- 22 Ga. Galv. Steel
- .050" Aluminum
- .063" Aluminum

Color: \_\_\_\_\_

Finish: \_\_\_\_\_

6 X E V W U D W d d d

If substrate is not given, wood fasteners will be provided.

Metal

OTHER: \_\_\_\_\_

4 8 \$ 1 7 , 7 , ( 6

\_\_\_\_\_ Lineal Feet (12'-0" Lengths)

\_\_\_\_\_ Right Endwall Flashing

\_\_\_\_\_ Outside Miter (90°)

\_\_\_\_\_ Left Endwall Flashing

\_\_\_\_\_ Inside Miter (90°)

\_\_\_\_\_ Right Endcaps

\_\_\_\_\_ Left Endcaps

\_\_\_\_\_ Overflow Scupper

Style A  Style B

\_\_\_\_\_ Spillout Scupper

Style A  Style B

\_\_\_\_\_ Downspout Scupper

Style A  Style B

Downspout Size \_\_\_\_\_ x \_\_\_\_\_

Max. Downspout Size is 5" x 6"  
 Custom print needed for larger sizes.

Style A=Tapered 1.5" Drop | Style B=Flat