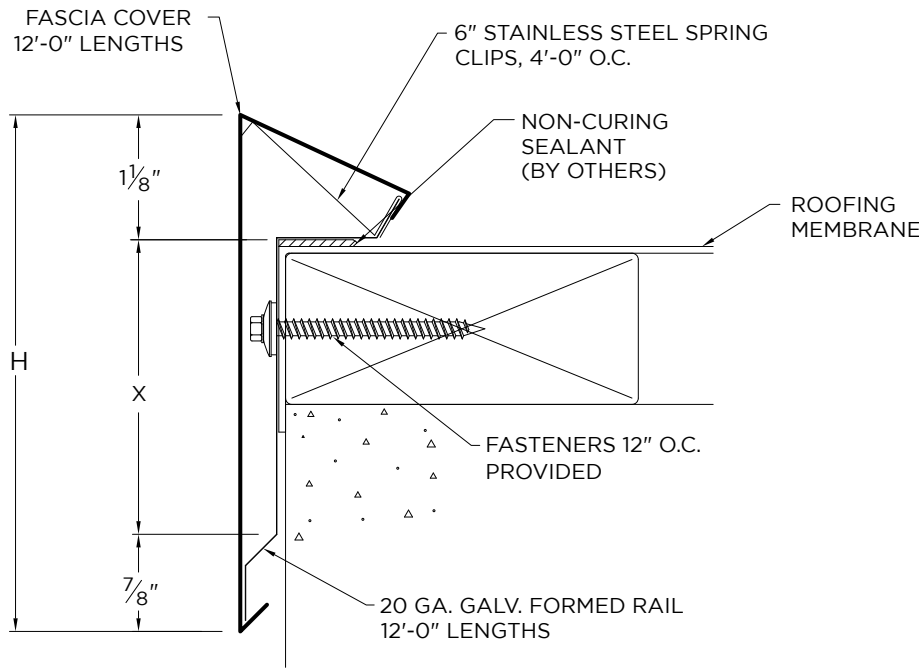




# ONE FASCIA

FULLY ADHERED OR MECHANICALLY ATTACHED SINGLE-PLY VERSION



## NOTES

- Lap joint provided with 24 ga., 22 ga., .040"
- Splice plate provided with .050" and .063"
- Rail miters are not provided (cover only)
- For non-90 miters, see separate print approval
- Product should be installed per provided installation instructions
- ANSI/SPRI/FM 4435/ES-1 Test Pressure up to 396 psf (24 ga., 22 ga., .040")

## APPROVALS

**ANSI/SPRI/FM 4435/ES-1**  
Test Pressures listed in notes

## PROJECT INFO

Project Name: \_\_\_\_\_

Architect: \_\_\_\_\_

Roofing Contractor: \_\_\_\_\_

**Project Type:**

By selecting this box you have verified and confirmed that dimensions, sizes, and quantities are correct. All products will be installed in strict accordance with printed instructions.

Date: \_\_\_\_\_

**Mule-Hide Products**  
1195 Prince Hall Drive  
Beloit, WI 53511  
800-786-1492  
www.mulehide.com

To submit a quote request, please contact your local TM or email [mhquotes@metalera.com](mailto:mhquotes@metalera.com).

SHT# \_\_\_\_\_ of \_\_\_\_\_

DATE: **08/07/24**

DRN BY: **JJC**

CKD BY: **MM**

DWG #: 52010-43501

REV: **A**

## DIMENSIONS

PRODUCT ID. NO.	H DIM	X DIM	NAILER COVERAGE
<input type="checkbox"/> ESE-S40	4"	2"	1 NAILER
<input type="checkbox"/> ESE-S50	5"	3"	2 NAILERS
<input type="checkbox"/> ESE-S65	6 1/2"	4 1/2"	3 NAILERS
<input type="checkbox"/> ESE-S80	8"	6"	4 NAILERS

## MATERIAL

- 24 Ga. Galv. Steel
- 22 Ga. Galv. Steel
- .040" Aluminum
- .050" Aluminum
- .063" Aluminum
- OTHER: \_\_\_\_\_

Color: \_\_\_\_\_

Finish: \_\_\_\_\_

**Substrate:**  Wood  
 Masonry  
 Metal  
If substrate is not given, wood fasteners will be provided.

## QUANTITIES

\_\_\_\_\_ Lineal Feet (12'-0" Lengths)

\_\_\_\_\_ Outside Miter (90°) (Cover Only)

\_\_\_\_\_ Inside Miter (90°) (Cover Only)