

**EPDM Systems**  
**ARCHED DRIP EDGE**

Detail # MHE-6040

Email completed form to [MHQuotes@mulehide.com](mailto:MHQuotes@mulehide.com)



Date: \_\_\_\_\_

Status:  Quote  Order

ABC Center: \_\_\_\_\_ #: \_\_\_\_\_

PO #: \_\_\_\_\_ ABC Contact: \_\_\_\_\_

Contractor Name: \_\_\_\_\_

Contractor Contact: \_\_\_\_\_

Phone #: \_\_\_\_\_

Special Instructions: \_\_\_\_\_

\_\_\_\_\_

\_\_\_\_\_

Job Name: \_\_\_\_\_

Address: \_\_\_\_\_

City: \_\_\_\_\_ St: \_\_\_\_\_ Zip: \_\_\_\_\_

Jobsite Contact: \_\_\_\_\_

Phone #: \_\_\_\_\_

Ship To (if different from above): \_\_\_\_\_

\_\_\_\_\_

\_\_\_\_\_

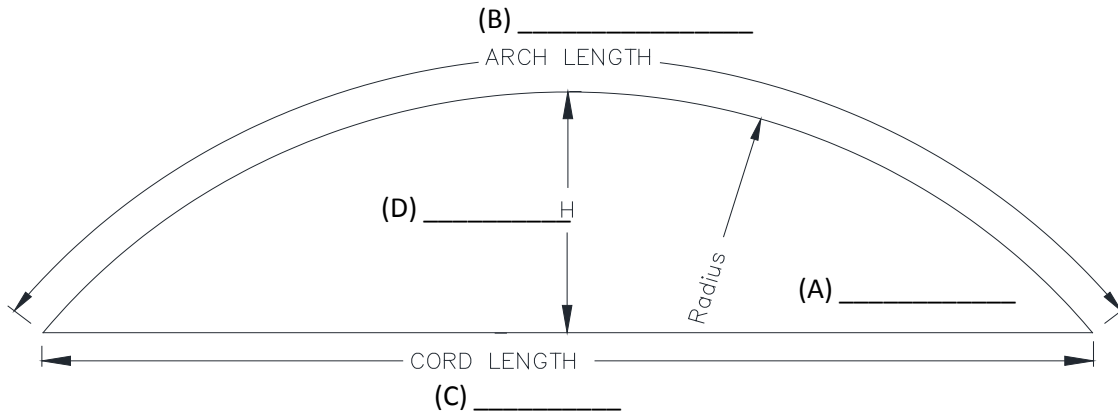
\_\_\_\_\_

Provide radius (A) when possible along with the following REQUIRED measurements:

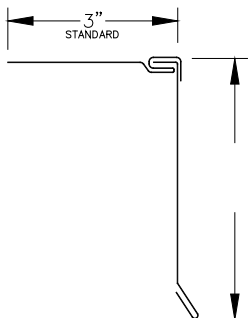
**REQUIRED MEASUREMENTS**

- (B) Total arch length
- (C) Entire width of the arch (cord length). If the entire cord length cannot be measured specify the cord length used.
- (D) Height

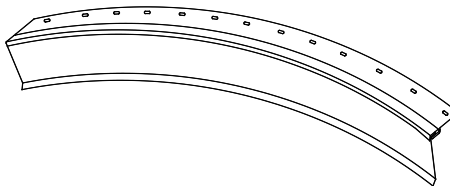
Note: When the entire width of the arch is not measured verify the height measurement in several locations using the same cord length.



Some arches may require a template. See template instructions.



| Face Size* |  |
|------------|--|
| 3"         |  |
| 4"         |  |
| 5"         |  |
| 6"         |  |
| 7"         |  |
| 8"         |  |



**Face type:**

24ga. Kynar 500

24ga. Bonderized

**Face color:** \_\_\_\_\_

|  |       |
|--|-------|
| <b>Contractor Approval:</b><br><i>Fabrication will proceed after signed approval.</i>  |       |
| Signature  | Date  |
| Name   | Title |
| <small>Contractor shall verify all dimensions, sizes, and quantities. All products to be installed in strict accordance with Mule-Hide's printed instructions.</small> |       |

\* 4" or larger face size require splice cleats 24" o.c. (splice cleats included). MH6