



Product Data Sheet

2-Piece Flex Snap-On Compression

Description:

The 2-Piece Flex Snap-On Compression system is made with a flat face to help it conform to a radius edge. The system consists of a 24-gauge Galvalume® base and a snap-on cover notched in 3" intervals to easily snap over radial surfaces.

- This edge is fabricated in 10' lengths; 3" – 8" widths.
- Cover is double-hemmed to protect roof material from excessive wear.
- Can be installed on both inside and outside radius edges.
- Standard 2-Piece Snap-On Compression can be ordered with a flat face to match this detail.
- This edge trim does not conform to an arched or vaulted radius.

Contact Mule-Hide to request a color chart, samples and information regarding custom metals and finishes.

Energy Efficiency:

LEED® and ENERGY STAR® compliant; 100% recyclable.

Installation:

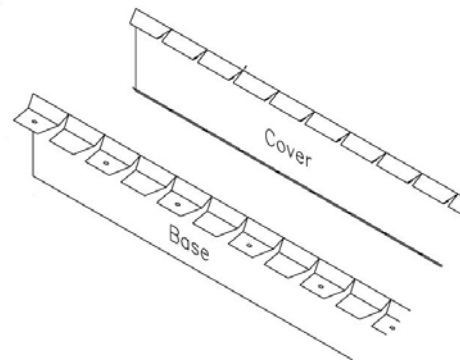
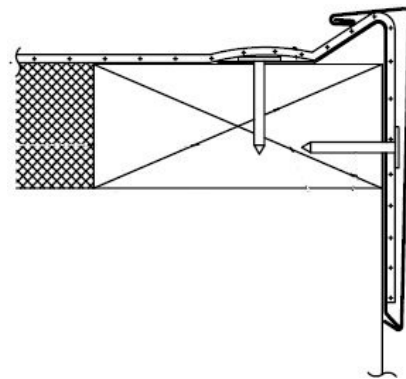
1. A wood nailer is required.
2. This nailer should be attached to the wall in accordance with ANSI/SPRI ES-1 3.9.
3. Install in accordance with Mule-Hide details.
4. Any deviation from the requirements set forth in the detail drawings must be pre-approved, in writing, by the Mule-Hide Technical Department.

Warranty:

Mule-Hide metal accessories are eligible for warranty coverage when properly installed as part of a Standard or Premium warrantable system. Please visit our Web site or call us for more information.

Technical Services:

Product samples, detail sheets, color chips, and a color chart are available for your submittal package. For assistance with questions or submittals, contact your local representative or call Mule-Hide.



Material	Gauge	Finish
Aluminum	.040	Mill or Kynar®
Stainless Steel	24-gauge	N/A
Bonderized Steel	24-gauge	N/A
Galvalume	24-gauge	Mill or Kynar®
Copper	16 oz.	Mill