



Product Data Sheet Conductor Head

Description:

The Conductor Head is designed to attach to the wall below the scupper, leaving the scupper visible from the ground. It complements the roof design and directs rain water into downspouts.

- Manufactured from various metals (see chart below).
- Standard designed conductors can be used with all Mule-Hide product lines.
- Commonly ordered with a metal flange scupper, producing an attractive combination.

Contact Mule-Hide to request a color chart, samples and information regarding custom metals and finishes.

Installation:

1. Install in accordance with Mule-Hide Detail MHSM-2071.
2. Any deviation from the requirements set forth in the detail drawings must be pre-approved, in writing, by the Mule-Hide Technical Department.

Warranty:

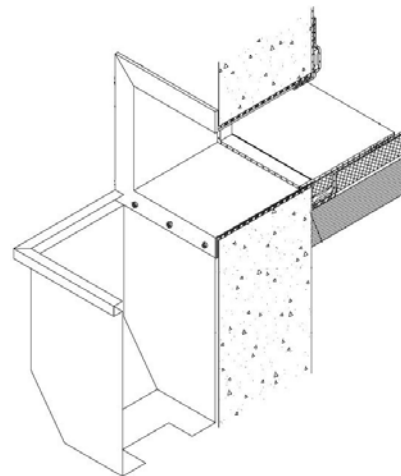
Mule-Hide metal accessories are eligible for warranty coverage when properly installed as part of a Standard or Premium warrantable system. Please visit our Web site or call us for more information.

Technical Services:

Product samples, detail sheets, color chips, and color chart are available for your submittal package. For assistance with questions or submittals, contact your local representative or call Mule-Hide.



Shown with metal flange scupper



Material	Gauge	Finish
Aluminum	.040	Mill or Kynar®
Stainless Steel	24-gauge	N/A
Bonderized Steel	24-gauge	N/A
Galvalume	24-gauge	Mill or Kynar®
Copper	16 oz.	Mill