



Description:

Gutters feature four box-style profiles in three sizes each. Support straps are provided based on 30" centers.

- Front edge of gutter is 2" lower than the back edge.
- Internal splice plates eliminate the need to completely rivet sections together. Use compatible sealant.
- Riveted inside and outside miters can be fabricated to any angle.
- Roof flanges can be bent to accommodate various roof pitches or eliminated altogether.
- Custom sizes and profiles are available.

Contact Mule-Hide to request a color chart, samples and information regarding custom metals and finishes.

Energy Efficiency:

LEED® and ENERGY STAR® compliant; 100% recyclable.

Installation:

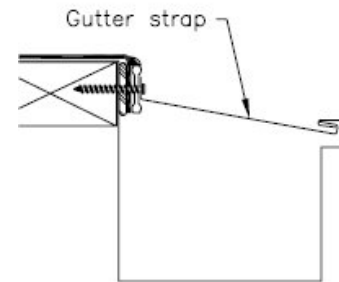
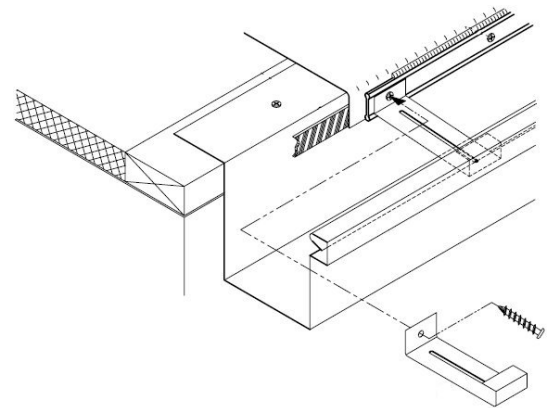
1. Install in accordance with Mule-Hide Detail #MHSM-2091.
2. Any deviation from the requirements set forth in the detail drawings must be pre-approved, in writing, by the Mule-Hide Technical Department.

Warranty:

Mule-Hide metal accessories are eligible for warranty coverage when properly installed as part of a Standard or Premium warrantable system. Please visit our Web site or call us for more information.

Technical Services:

Product samples, detail sheets, color chips, and a color chart are available for your submittal package. For assistance with questions or submittals, contact your local representative or call Mule-Hide.



Note: Gutter size to be determined by the contractor or design professional.

Material	Gauge	Finish
Aluminum	.040 / .050	Mill or Kynar®
Stainless Steel	24-gauge	N/A
Bonderized Steel	24-gauge	N/A
Galvalume	24-gauge	Mill or Kynar®
Copper	16 oz.	Mill