



Product Data Sheet Snap Coping

Description:

The snap coping offers a complete finish to any parapet wall. The system utilizes 16-gauge cleat segments spaced at 5' – 0" centers.

- Fabricated in 10 foot lengths; widths are customized to specification.
- 16" cleat segments are fabricated in 16 gauge galvanized.
- 6" Concealed splice plate eliminates exposed fasteners and allows for thermal movement.
- Riveted inside and outside miters and end caps are available.

Contact Mule-Hide to request a color chart, samples and information regarding custom metals and finishes.

Energy Efficiency:

LEED® and ENERGY STAR® compliant; 100% recyclable.

Installation:

1. A wood nailer attached to the top of the parapet wall is required.
2. This nailer should be attached to the wall in accordance with ANSI/SPRI ES-1 3.9.
3. Install the Snap Coping in accordance with Mule-Hide Detail #MHSM-6054A and #MHSM-6054B.
4. Any deviation from the requirements set forth in the detail drawings must be pre-approved, in writing, by the Mule-Hide Technical Department.

Codes and Standards:

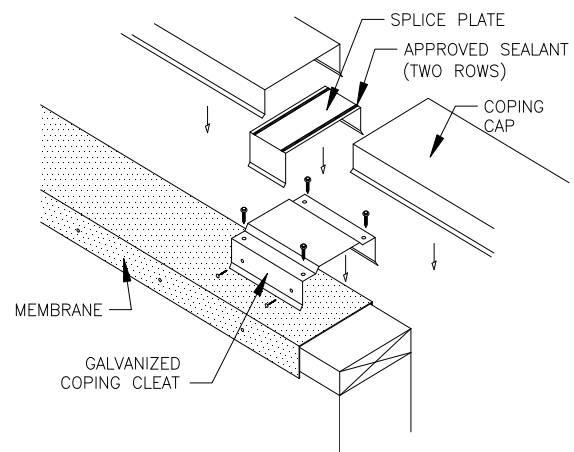
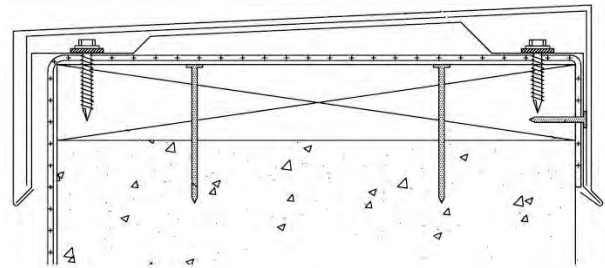
- ANSI/SPRI ES-1 Compliant up to 16" width.
- Meets TAS 111-95 Test with 12" wall dimension and 4" face with 3" back.

Warranty:

Mule-Hide metal accessories are eligible for warranty coverage when properly installed as part of a Standard or Premium warrantable system. Please visit our Web site or call us for more information.

Technical Services:

Product samples, detail sheets, color chips, and color chart are available for your submittal package. For assistance with questions or submittals, contact your local representative or call Mule-Hide.



Material	Gauge	Finish
Aluminum	.040 / .050	Mill or Kynar®
Stainless Steel	24-gauge	N/A
Bonderized Steel	24-gauge	N/A
Galvalume	24-gauge	Mill or Kynar®