



Description:

The T-Edge Plus is available in a TPO or PVC version and is designed with a double-folded drip edge neatly concealing the membrane-coated hook strip so it is not visible from ground level. The system consists of three separate components: a drip edge base, hook strip, and splice plate that are hooked together to form an aesthetically-pleasing edge.

- Fabricated in 10' lengths; 2" – 8" widths.
- Top piece consists of a membrane-coated hook strip with an attached 6" wide TPO or PVC membrane skirt. Bottom drip edge piece available in any metal finish.
- Does not require an overlapping allowance.
- Ready to assemble inside and outside corners are available.

Contact Mule-Hide to request a color chart, samples and information regarding custom metals and finishes.

Energy Efficiency:

LEED® and ENERGY STAR® compliant; 100% recyclable.

Installation:

1. Attach to a wood nailer.
2. This nailer should be attached to the wall in accordance with ANSI/SPRI ES-1 3.9.
3. Install in accordance with Mule-Hide details.
4. Any deviation from the requirements set forth in the detail drawings must be pre-approved, in writing, by the Mule-Hide Technical Department.

Codes and Standards:

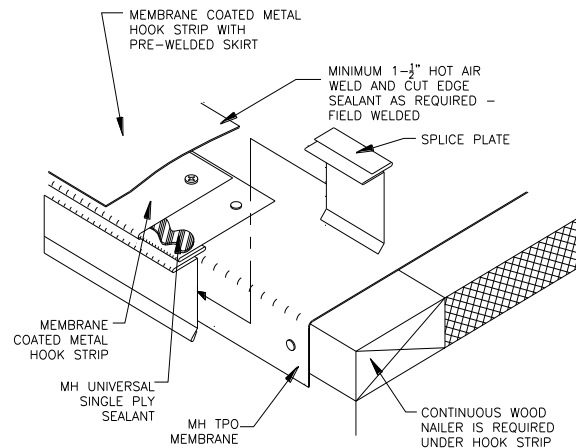
- ANSI/SPRI ES-1 Compliant for 3" – 8" in 24-gauge galvanized and .040 aluminum.

Warranty:

Mule-Hide metal accessories are eligible for warranty coverage when properly installed as part of a Standard or Premium warrantable system. Please visit our Web site or call us for more information.

Technical Services:

Product samples, detail sheets, color chips, and color chart are available for your submittal package. For assistance with questions or submittals, contact your local representative or call Mule-Hide.



Material	Gauge	Finish
Aluminum	.040	Mill or Kynar®
Stainless Steel	24-gauge	N/A
Bonderized Steel	24-gauge	N/A
Galvalume	24-gauge	Mill or Kynar®