



EclipsEdge™

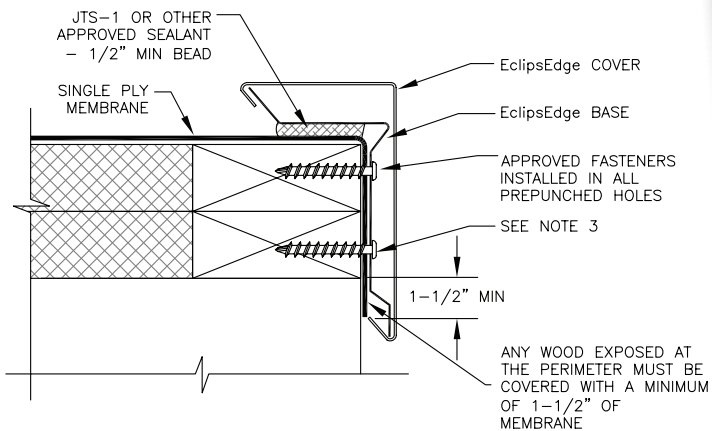
Edge Metal Profile

ECLIPSEEDGE

EclipsEdge is a new edge metal profile that reduces installed cost for raised edges/gravel stops and full coping caps. EclipsEdge is fastened on the fascia rather than the horizontal surface of the roof therefore there is no need to install membrane flashing to seal the fasteners. EclipsEdge consists of a base and a top cover and is available in prefinished steel, aluminum, stainless steel and bonderized steel.

FEATURES AND BENEFITS

- Easy fast install
- Cuts material and labor costs compared to conventional applications
- Eliminates the need for continuous clip when face dimension exceeds 4"
- Not sensitive to membrane thickness
- Eliminates need for fasteners and required flashing membrane on horizontal surfaces
- Can be installed with cordless drill
- Fastener holes are pre-punched to ease installation
- Pre-notched for easier overlapping during installation
- Overlap design eliminates joint covers
- Metalwork is automatically included in a Mule-Hide labor and material warranty
- Eliminates the need to measure and fabricate copings (Requires a return trip to complete the job)
- ES-1 compliant
- Lower installed cost solution for raised roof edge/gravel stop and coping caps



FREQUENTLY ASKED QUESTIONS

Is this a stockable item?

Branches may choose to stock this product. Mule-Hide treats the EclipsEdge as a special order.

Is the EclipsEdge ES-1 rated?

No, EclipsEdge is ES-1 compliant but currently does not have ES-1 ratings.

What is the shortest and longest face available?

The minimum face dimension is 4". The largest face dimension is 13".

Do I need more than one fastener in the face?

Only one fastener is needed in the face on dimensions up to 6". Dimensions 6" or greater require 2 fasteners. Holes are pre-punched.

What materials are available?

The standard base is fabricated from 22 gauge Galvalume Plus steel or .050 aluminum. The cover is available in 24 gauge Galvalume with mill or Kynar finish, 24 gauge stainless steel, or .040 aluminum in mill or Kynar finish. All covers measuring 9" – 13" are fabricated with aluminum to prevent oil canting.

How can the EclipsEdge be a substitute for a full coping cap?

Using the EclipsEdge in lieu of a full coping provides the same aesthetics from the ground as a traditional coping cap while using a fraction of the metal needed for a coping. The benefits of EclipsEdge over traditional coping caps increase as the width of the parapet wall widens.

"The name trusted in roofing since 1906"

Customer Line: 800-786-1492 • www.mulehide.com

Check our website monthly for the latest updates & technical bulletins.

National Support Center • 1195 Prince Hall Drive • Beloit, WI 53511 • tel. 608.365.3111 • fax. 608.365.7852

The information herein should not be considered all-inclusive and should always be accompanied by a review of the Mule-Hide specifications and guidelines and good application practices.

This information herein is based upon data and knowledge considered to be true and accurate at the time of printing and is provided for the reader's consideration, investigation and verification. No statement made by anyone may supersede this information, except when done in writing by Mule-Hide Products Co., Inc. Mule-Hide Products Co., Inc. does not warrant any results to be obtained. Statements concerning possible use of Mule-Hide products are made without knowledge of your particular roof and such an application may not be fit for your particular purpose. MULE-HIDE DISCLAIMS ALL WARRANTIES, INCLUDING THE IMPLIED WARRANTY OF MERCHANTABILITY AND FITNESS FOR A PARTICULAR PURPOSE, except written warranties attached to Mule-Hide products and written warranties signed by an officer of Mule-Hide.

Visit the Mule-Hide website at www.mulehide.com prior to any installation for updated technical specifications and details. Mule-Hide is a U.S. registered trademark. All rights reserved.

