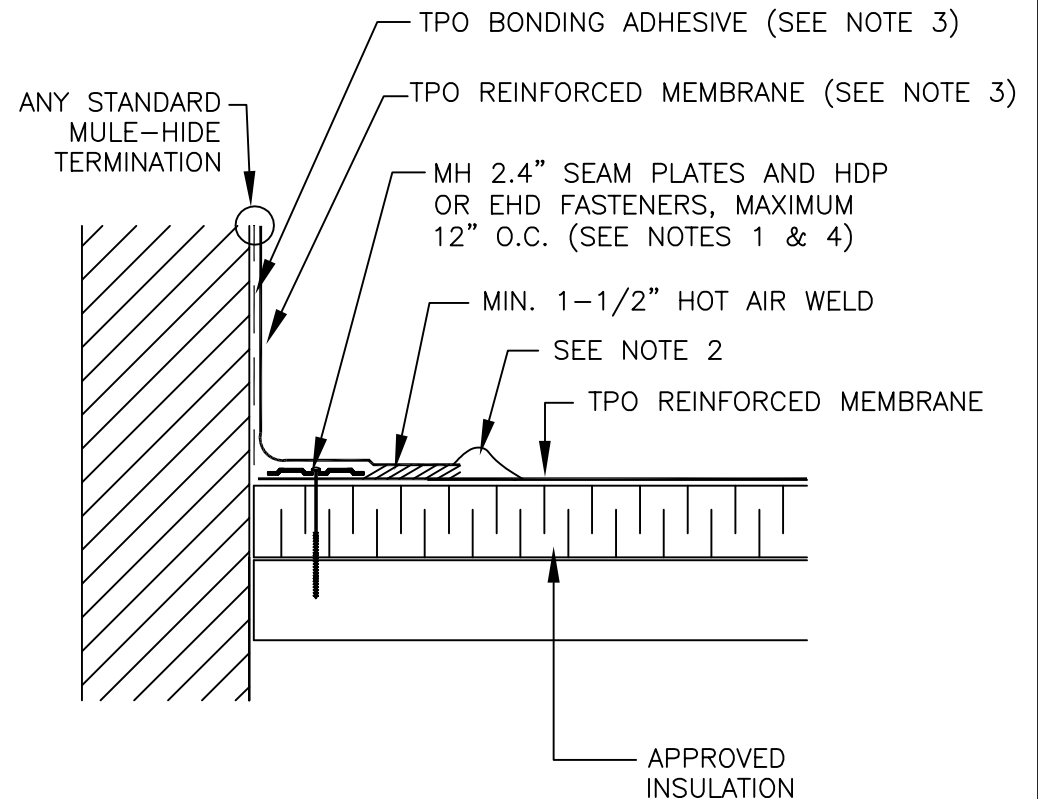


NOTES:

1. POSITION SEAM PLATES 1/2" TO 1" FROM EDGE OF DECK MEMBRANE.
2. APPROXIMATELY 1/8" DIAMETER BEAD OF CUT-EDGE SEALANT IS REQUIRED ON CUT EDGES OF TPO REINFORCED MEMBRANE.
3. WHEN COUNTERFLASHING IS USED FOR TERMINATION, BONDING ADHESIVE IS NOT REQUIRED WHEN FLASHING HEIGHT IS 12" OR LESS. WHEN COPING OR A TERMINATION BAR IS USED, ADHESIVE MAY BE ELIMINATED WHEN FLASHING HEIGHT IS 18" OR LESS.
4. ON MECHANICALLY FASTENED SYSTEMS, MH HDP OR EHD FASTENERS AND 2.4" SEAM PLATES ARE REQUIRED AS A MINIMUM. CONTACT MULE-HIDE FOR TPO REINFORCED MEMBRANE FASTENING CRITERIA AND PROPER FASTENERS FOR EACH DECK TYPE.

CREASE MEMBRANE AT ANGLE
CHANGE TO LIMIT BRIDGING TO
3/4" MAX



**MULE-HIDE
PRODUCTS CO., INC.**

**BASE ATTACHMENT
WITH PLATES AND FASTENERS
SYSTEMS:
ALL TPO SYSTEMS**

DETAIL NO.:
MHT-UN-305A

REVISION DATE: 10/2013