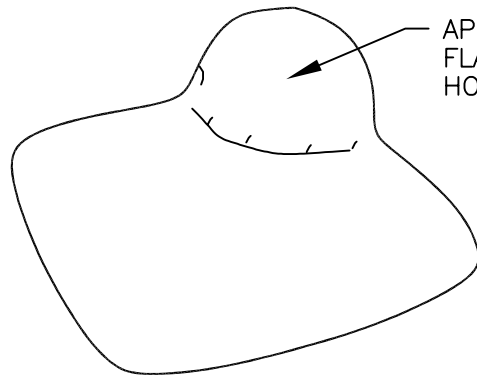
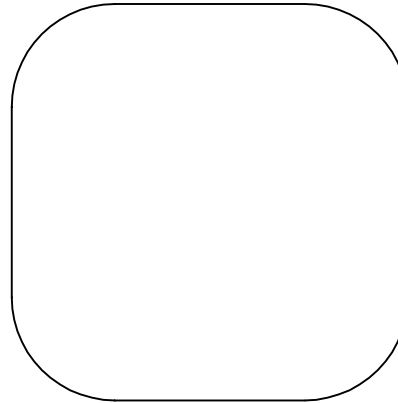
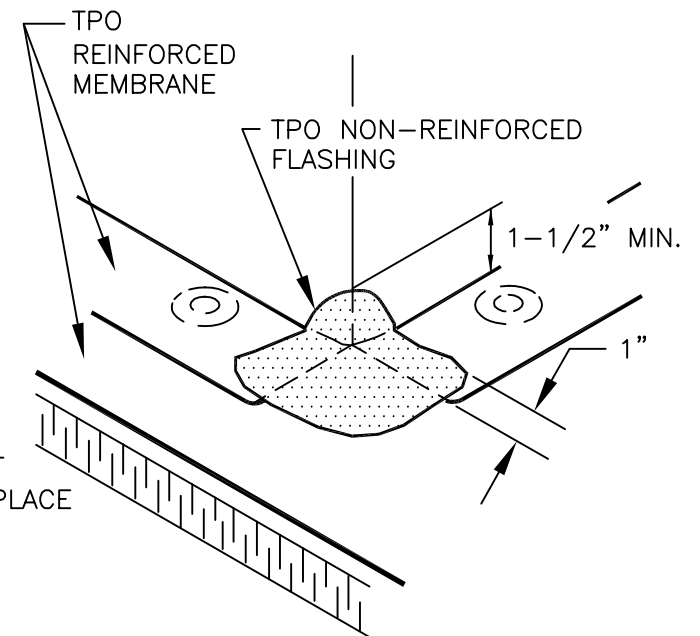


ROUND CORNERS OF
NON-REINFORCED FLASHING



APPLY HEAT TO TPO NON-REINFORCED FLASHING AND FORM BY HAND PRIOR TO HOT AIR WELDING CORNER IN PLACE.



POSITION AND HEAT WELD CORNER IN PLACE AS SHOWN

**MULE-HIDE
PRODUCTS CO., INC.**

**FIELD FABRICATED
OUTSIDE CORNER
SYSTEMS:
ALL TPO SYSTEMS**

DETAIL NO.:
MHT-UN-641A

REVISION DATE: 10/2013