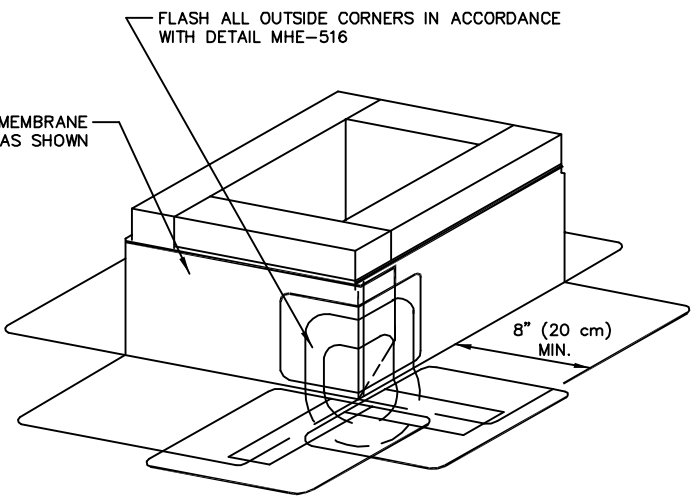


CONTINUOUS 90 MIL EPDM MEMBRANE USED TO FLASH ENTIRE CURB AS SHOWN



LAP SEALANT IS REQUIRED ON ALL EXPOSED FLASHING EDGES

NOTES:

1. IF VERTICAL SEAM IS NOT LOCATED AT CORNER, A 4.5" x 6" (12 x 15 cm) AND A 9' x 12' (23 x 30 cm) PIECE OF UNCURED FLASHING TAPE MUST BE CENTERED OVER FIELD SPLICE AT ANGLE CHANGE.
2. FASTENING PLATES MAY BE INSTALLED VERTICALLY.
3. APPLY TAPE PRIMER PRIOR TO INSTALLING IN-SEAM TAPE.

**MULE-HIDE
PRODUCTS CO., INC.
2005**

Curb Flashing

SYSTEMS:
Fully Adhered 90mil System

DETAIL NO.:
MHE-513