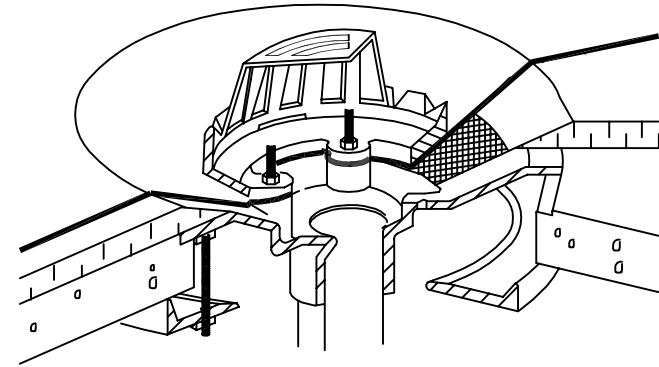
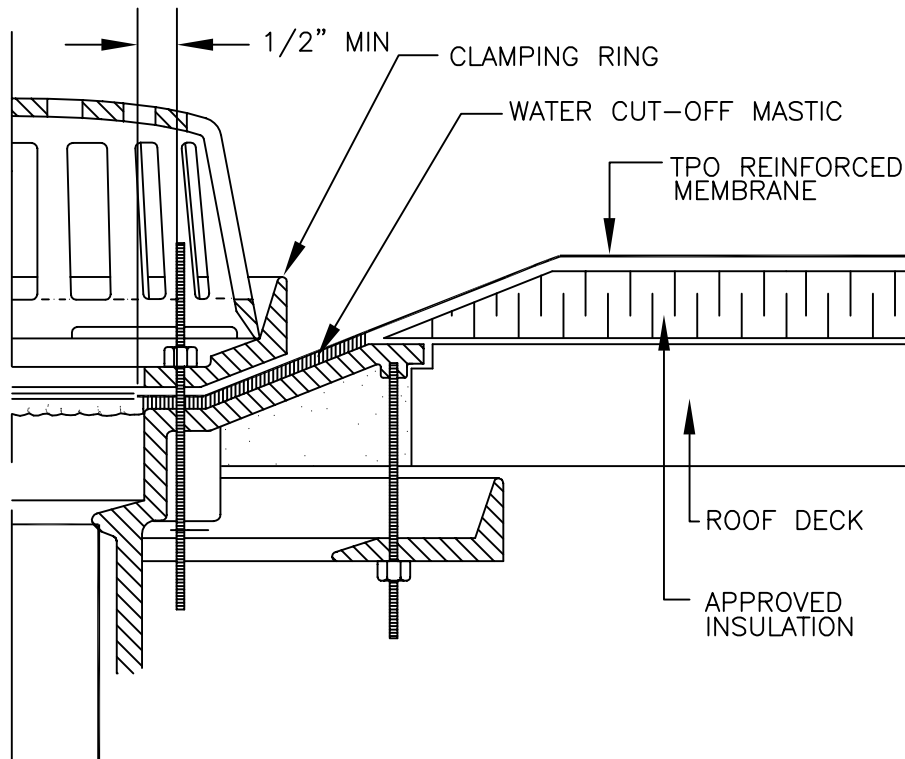


FOR DRAINS WITH TAPERED INSULATION AT DRAIN SUMP
LESS THAN 3 INCHES TO 12



NOTES:

1. REMOVE ALL LEAD AND OTHER FLASHING.
2. ALL BOLTS AND CLAMPS MUST BE IN PLACE TO PROVIDE CONSTANT COMPRESSION ON WATER CUT-OFF MASTIC.
3. CUT THE MEMBRANE SO IT EXTENDS A MINIMUM OF 1/2" FROM THE ATTACHMENT POINTS OF THE DRAIN CLAMPING RING.
4. FOR DRAIN SUMPS WITH SLOPES GREATER THAN 3" IN 12" REFER TO DETAIL MHT-UN-511A.
5. DO NOT LOCATE FIELD SEAM WITHIN THE DRAIN OR DRAIN SUMP. IF FIELD SEAM OCCURS IN DRAIN OR DRAIN SUMP, A TARGET PATCH MUST BE INSTALLED. SEE APPROPRIATE TARGET PATCH DETAIL.

**MULE-HIDE
PRODUCTS CO., INC.**

**DRAIN FLASHING - TAPERED INSULATION
DRAIN SUMP SLOPE LESS THAN 3" TO 1"
SYSTEMS:**

ALL TPO SYSTEMS

DETAIL NO.:

MHT-UN-510A

REVISION DATE: 10/2013