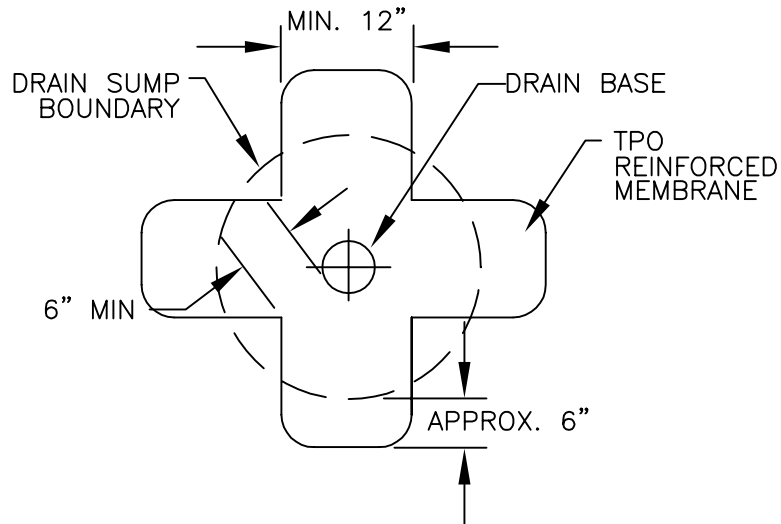
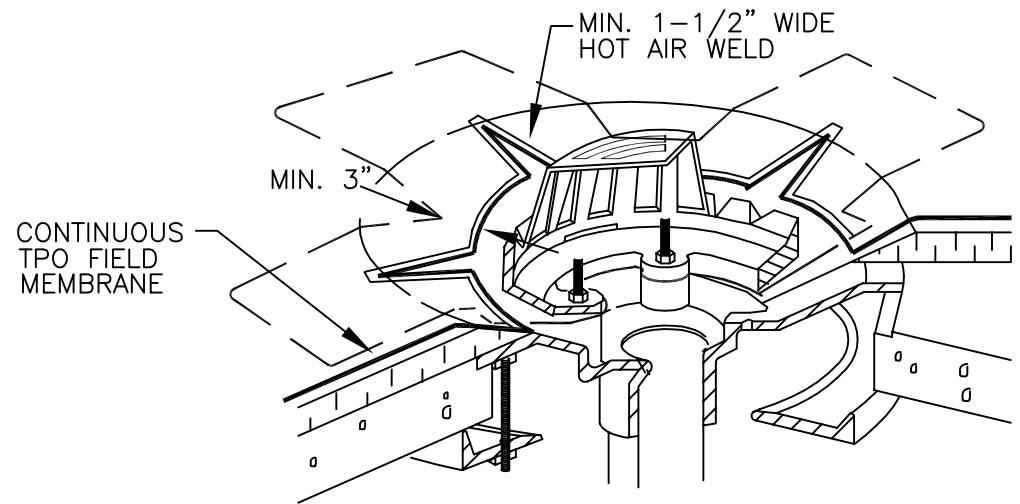


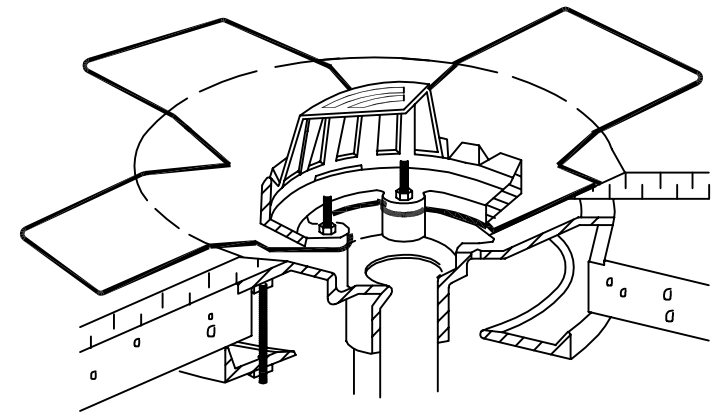
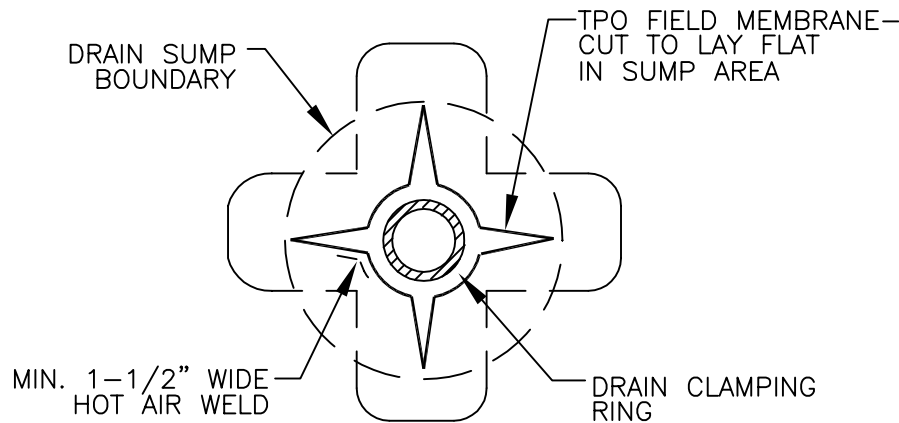
FOR DRAINS WITH TAPERED INSULATION AT DRAIN SUMP
GREATER THAN 3" TO 1 HORIZONTAL FOOT



CUT SECTION OF TPO REINFORCED MEMBRANE AS SHOWN AND POSITION INTO DRAIN SUMP. EXTEND MEMBRANE OUT OF DRAIN SUMP APPROXIMATELY 6" (ROUND CORNERS).



EXTEND TPO REINFORCED MEMBRANE ONTO MEMBRANE SECTION POSITIONED AT DRAIN SUMP AND CUT AS SHOWN TO LAY FLAT IN SUMP. HOT AIR WELD A MINIMUM OF 1-1/2" COMPLETELY SURROUNDING AREA.



**MULE-HIDE
PRODUCTS CO., INC.**

**DRAIN FLASHING WITH TARGET
PAGE 2 OF 2
SYSTEMS:**

ALL TPO SYSTEMS

DETAIL NO.:

MHT-UN-511B2

REVISION DATE: 10/2013