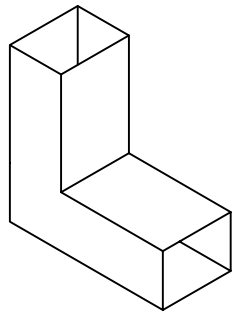
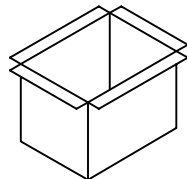


NOTES:

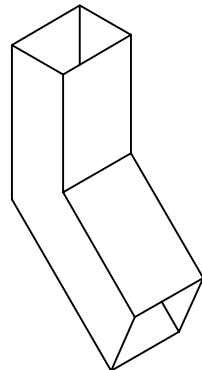
1. INSTALL ALL ELBOWS WITH A MINIMUM OF 2 POP RIVETS PER SIDE. PLACE OVER-LAPPING JOINTS IN PROGRESSIVE ORDER TO ENSURE A WATER SHEDDING JOINT.
2. INSTALL WALL STRAPS WITH A MIN. OF 2 POP RIVETS PLACED INTO DOWNSPOUTS. TWO STRAPS MUST BE INSTALLED FOR EVERY 10'-0" SECTION OF DOWNSPOUT. IT IS RECOMMENDED, NOT REQUIRED, THAT THE STRAPS BE INSTALLED TO COVER THE JOINTS OF EACH SECTION.
3. AVAILABLE IN BOTH OPEN AND CLOSED FACES.



80° ELBOW**



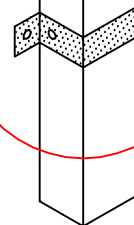
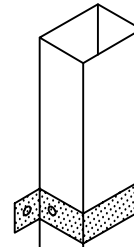
DROP/OUTLET



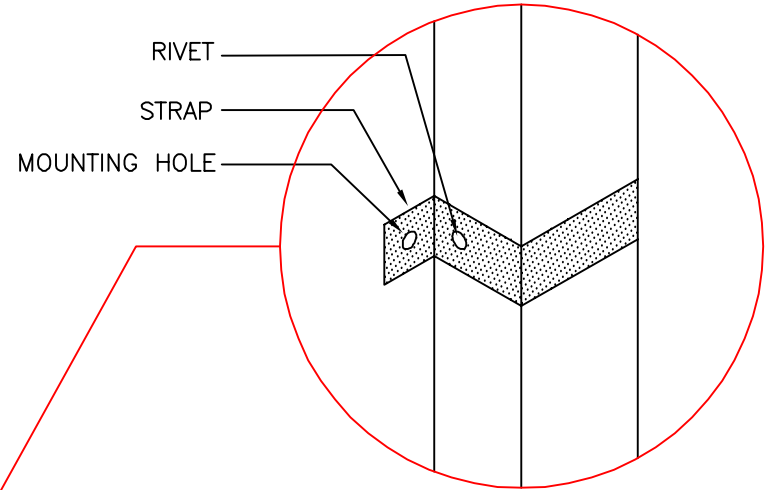
45° ELBOW**

** "A" & "B" STYLE ELBOWS ARE AVAILABLE. "A" STYLE ELBOWS DIRECT WATER AWAY FROM THE BUILDING. "B" STYLE ELBOWS DIRECT WATER ALONGSIDE THE BUILDING

WIDE END



NARROW END



NOTE:

THIS DETAIL IS NOT INCLUDED IN ANY MULE-HIDE LABOR AND MATERIAL WARRANTY

**MULE-HIDE
PRODUCTS CO., INC.**

**MULE-HIDE PREMANUFACTURED
METAL DOWNSPOUTS DRAINAGE DETAILS
SYSTEMS:**

ALL ROOFING SYSTEMS

DETAIL NO.:

MHSM-2080

REVISION DATE: 01/2013