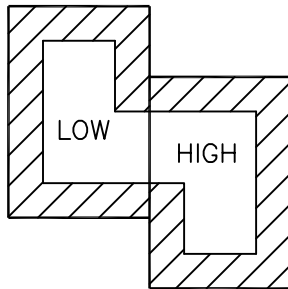


PERIMETER AREA

ROOF HEIGHT DIFFERENTIAL GREATER THAN 3'

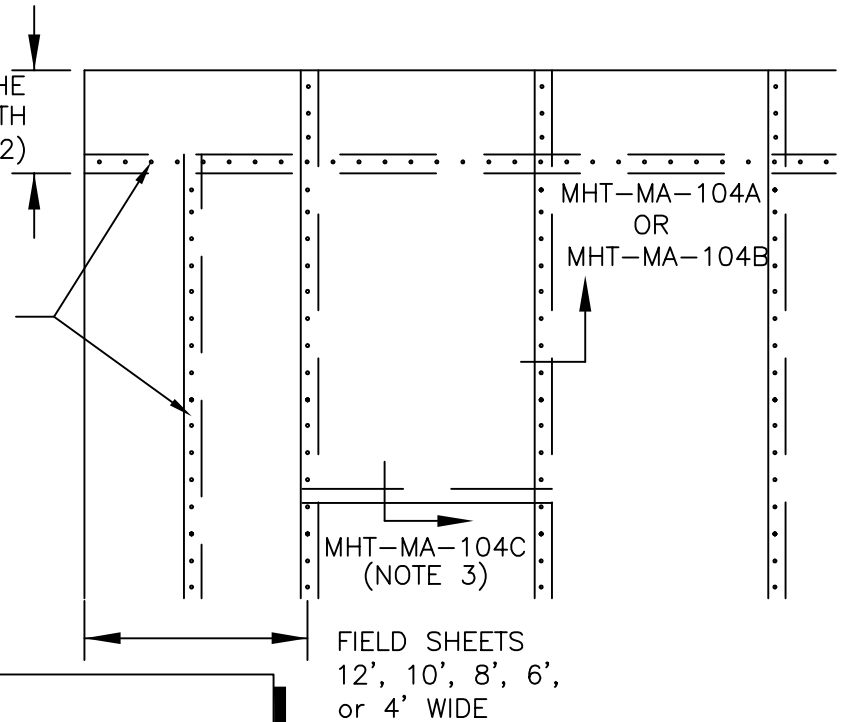


PERIMETER AREA

ROOF HEIGHT DIFFERENTIAL LESS THAN 3'

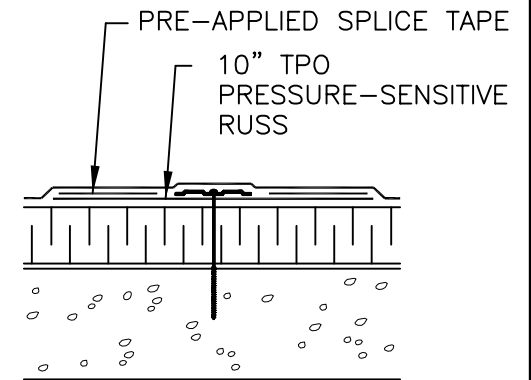
50% - 60% OF THE FIELD SHEET WIDTH (NOTES 1 & 2)

10" RUSS STRIP CENTERED IN FIELD SHEET FASTENED WITH MH 2.4" SEAM PLATES AND HDP OR EHD FASTENERS 12" O.C. MAX



NOTES:

1. PLACE 10" RUSS STRIP IN CENTER OF FIELD SHEET. REFER TO TECHNICAL BULLETIN #MA-02-2006 FOR PERIMETER ENHANCEMENT REQUIREMENTS.
2. CONTACT MULE-HIDE FOR FM OR CODE COMPLIANCE FOR REQUIRED NUMBER OF 10" RUSS STRIPS AND MEMBRANE FASTENING.
3. SECUREMENT NOT REQUIRED AT END LAPS; OVERLAP MEMBRANE 2" TO 3". REFER TO DETAIL MHT-UN-104C.
4. FOR INSULATION SECUREMENT, REFER TO MHT-MA-700 AND MHT-MA-701 DETAILS.
5. IF A FACTORY MUTUAL RATING IS REQUIRED, CONTACT MULE-HIDE TECHNICAL DEPARTMENT FOR CORNER REQUIREMENTS.
6. RUSS PRODUCTS CANNOT BE USED WITH FLEECEBACK OR SELF ADHERING MEMBRANES.
7. THIS OPTION IS NOT TO BE USED ON STEEL DECKS. REFER TO DETAIL MHT-FM-108A.



MULE-HIDE PRODUCTS CO., INC.

**PERIMETER ATTACHMENT - OPTION 2
10" RUSS STRIP ALTERNATE
SYSTEMS:
MECHANICALLY ATTACHED**

DETAIL NO.:
MHT-MA-102B

REVISION DATE: 10/2013