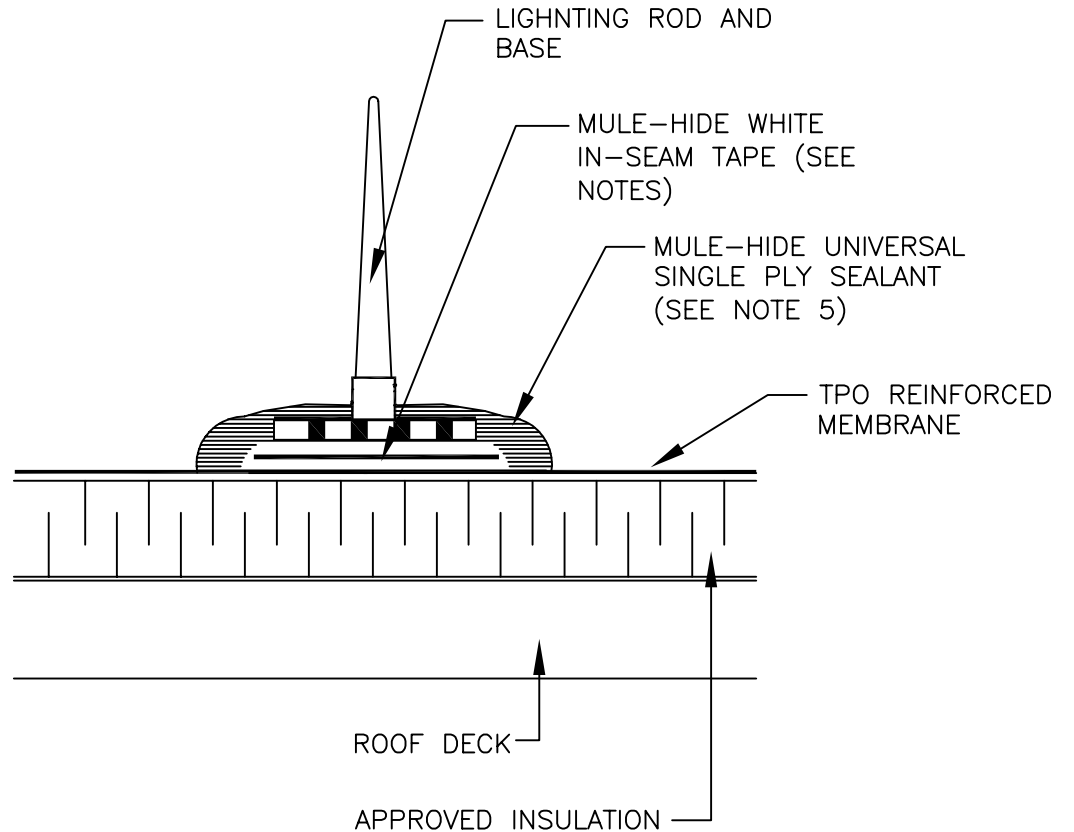


NOTES:

1. CLEAN EXPOSED MEMBRANE WITH WEATHERED MEMBRANE CLEANER.
2. APPLY MULE-HIDE TAPE PRIMER TO THE MEMBRANE AND LIGHTNING ROD BASE. ALLOW TO DRY UNTIL IT IS TACK FREE.
3. INSTALL A SECTION OF WHITE IN-SEAM TAPE (APPROXIMATELY THE SIZE OF THE METAL BASE) TO THE MEMBRANE SURFACE. LEAVE THE RELEASE FILM IN PLACE AND ROLL TAPE FROM THE CENTER TO THE OUTER EDGES.
4. REMOVE RELEASE FILM AND CAREFULLY PLACE METAL BASE OVER THE IN-SEAM TAPE.
5. APPLY TAPE PRIMER TO TPO MEMBRANE WHERE UNIVERSIAL SINGLE PLY SEALANT IS TO BE APPLIED. ALLOW TO DRY UNTIL TACK FREE, SEAL ALL EDGES AND ANY EXPOSED AREAS OF TAPE (AT PERFORATED BASE) WITH MULE-HIDE UNIVERSAL SINGLE PLY SEALANT.



LIGHTNING ROD DETAIL

SYSTEMS:

ALL TPO SYSTEMS

DETAIL NO.:

MHT-UN-622B

REVISION DATE: 10/2013

**MULE-HIDE
PRODUCTS CO., INC.**