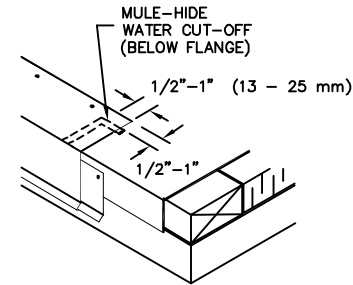
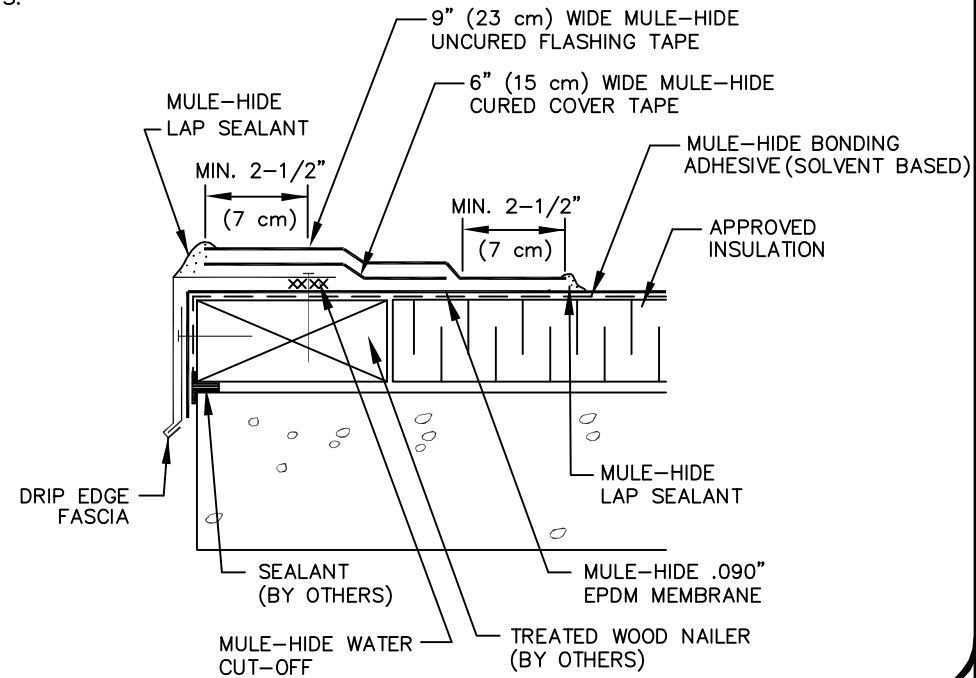
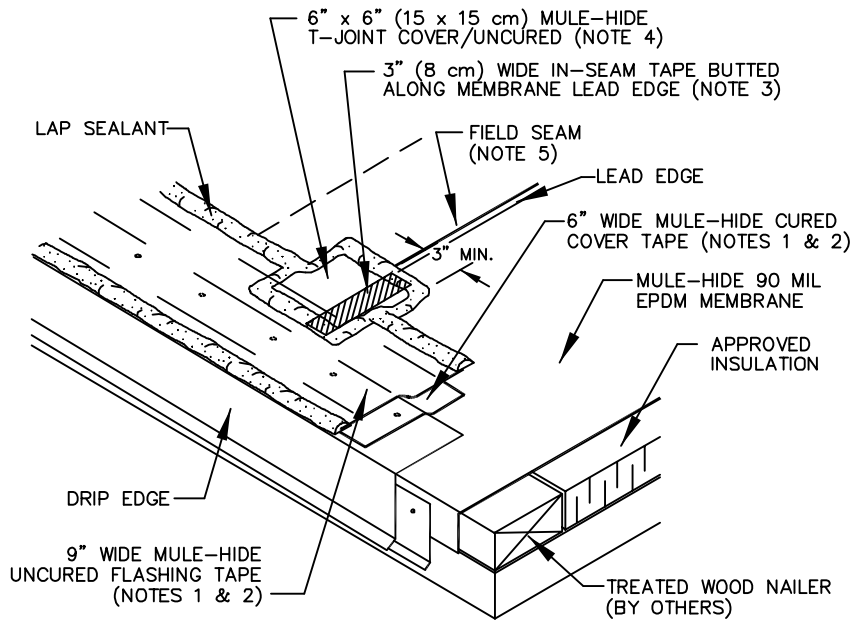


NOTES:

1. DECK FLANGE MUST BE TOTALLY COVERED BY MULE-HIDE CURED COVER TAPE (USE TAPE PRIMER) FLASHING WITH MINIMUM 2-1/2" (7 cm) COVERAGE PAST NAIL HEADS.
2. PRIOR TO INSTALLING MULE-HIDE TAPE (BOTH LAYERS), APPLY MULE-HIDE TAPE PRIMER AND ALLOW TO PROPERLY DRY.
3. INSTALL 3" x 6.5" (8 x 16 cm) IN-SEAM TAPE (IN CONJUNCTION WITH TAPE PRIMER) ALONG LEADING EDGE OF MEMBRANE SEAM OVERLAPPING SEAM TAPE.
4. INSTALL 6" (15 cm) WIDE MULE-HIDE UNCURED FLASHING TAPE (IN CONJUNCTION WITH TAPE PRIMER) AT FIELD SEAM INTERSECTIONS AND SEAL WITH LAP SEALANT AS SHOWN.
5. FOLLOW STANDARD FIELD SEAM REQUIREMENTS FOR 30 YEAR WARRANTY SYSTEMS.



ALL REQUIREMENTS FOR 30 YEAR WARRANTY SYSTEM MUST BE FOLLOWED



**MULE-HIDE
PRODUCTS CO., INC.
2005**

Drip Edge
SYSTEMS:
Fully Adhered 90mil System

DETAIL NO.:
MHE-502