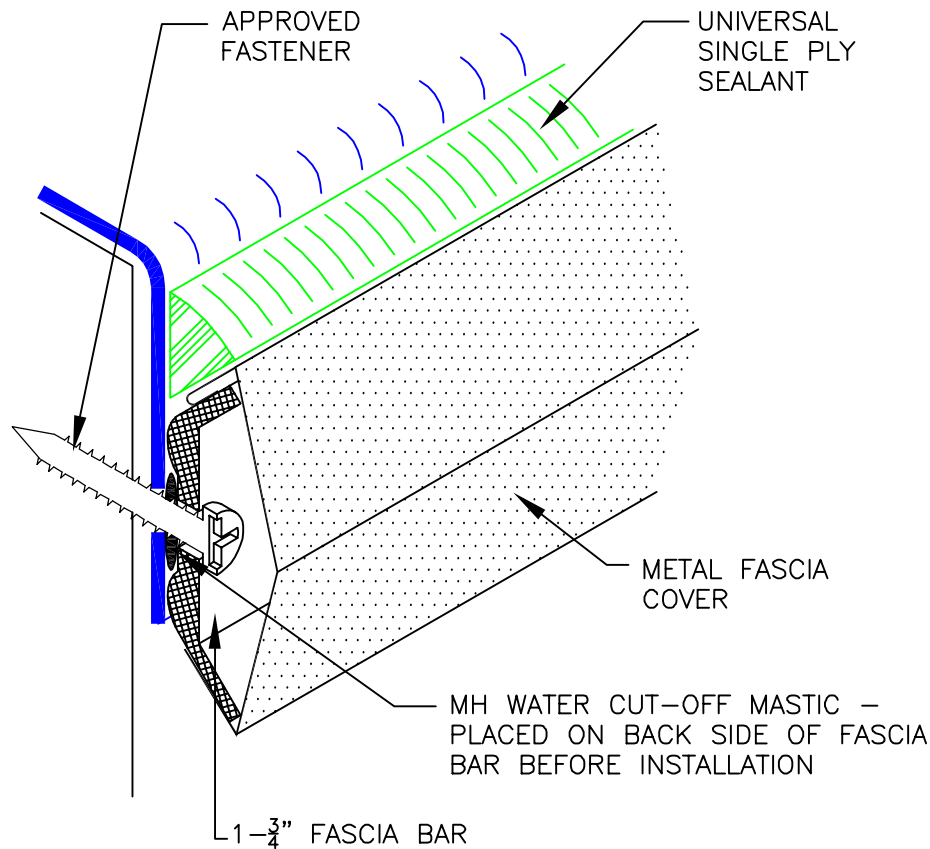


ALLOW FOR AN 1/8" GAP FOR EXPANSION AND CONTRACTION. EXPANSION TAB MUST INSTALL BENEATH THE NEXT INSTALLED PIECE.

HOOK ON BOTTOM AND PIVOT UP INTO PLACE—SNAP HEM ON TOP



NOTE:  
THIS DETAIL QUALIFIES TO BE INCLUDED IN ANY MULE-HIDE LABOR AND MATERIAL WARRANTY

NOTES:

1. JOINTS ON THE FASCIA BAR MUST BE OFFSET BY A MINIMUM OF 12" FROM THE JOINTS IN THE FASCIA COVER.
2. THE FASCIA BAR MUST BE FASTENED 6" ON CENTER.
3. USE STAINLESS STEEL FASTENERS WHEN ATTACHING INTO ACQ TREATED WOOD.

**MULE-HIDE PRODUCTS CO., INC.**

**MULE-HIDE PREMANUFACTURED 1-3/4" METAL FASCIA SYSTEMS:**  
**ALL SYSTEMS**

**DETAIL NO.:**  
**MHSM-3500**  
REVISION DATE: 01/2013