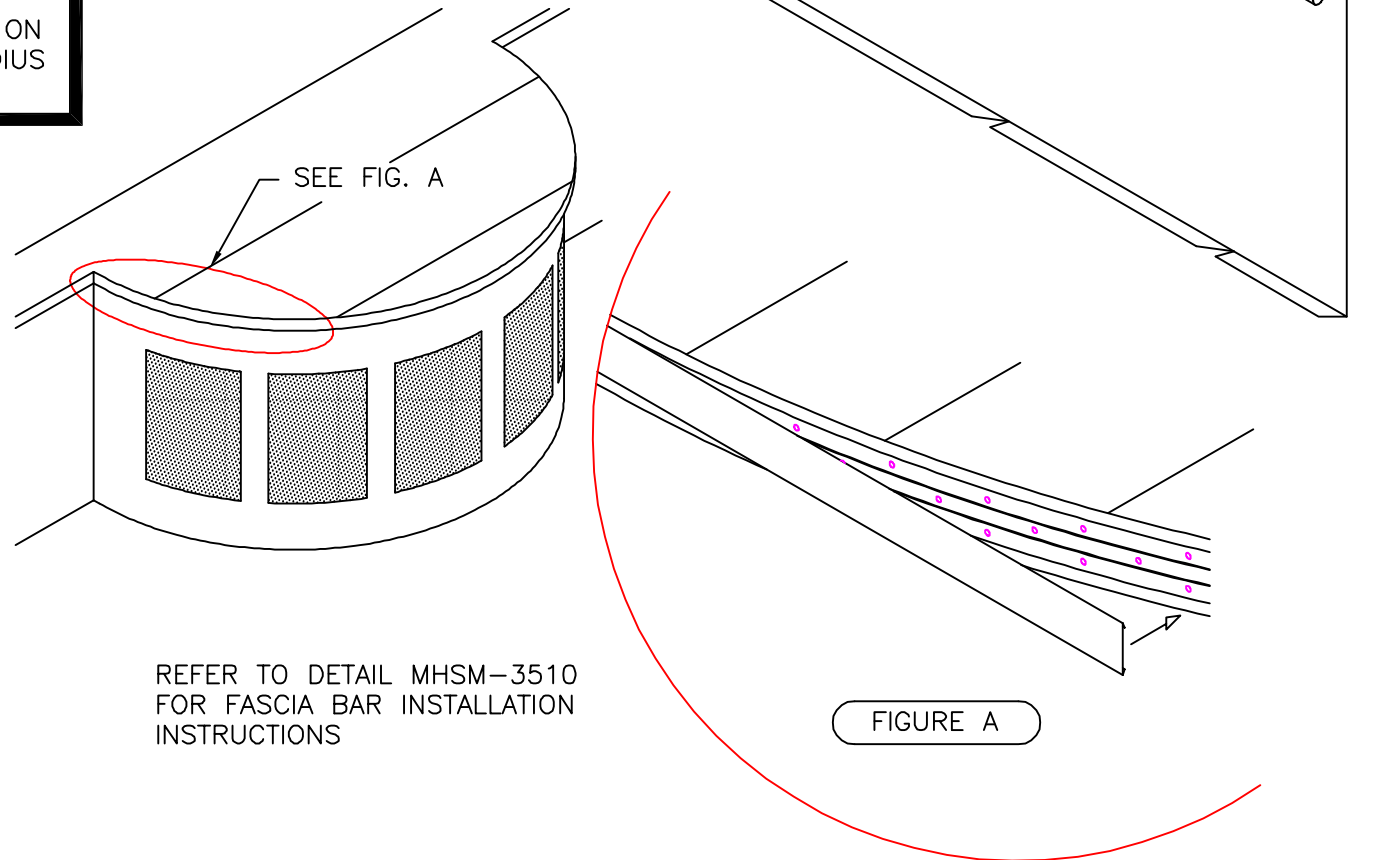


NOTES:

1. LIMITED TO 4" FASCIA COVER ONLY.
2. THE FASCIA BAR MUST BE FASTENED 6" ON CENTER.
3. SEE DETAIL 3510 FOR THE INSTALLATION OF THE METAL COVERS.
4. THIS EDGE CAN BE INSTALLED ON BOTH INSIDE AND OUTSIDE RADIUS EDGES.

NOTCHES ARE CUT TO ALLOW THE COVER TO FLEX AROUND A RADIUS.



NOTE:

THIS DETAIL QUALIFIES TO BE INCLUDED IN ANY MULE-HIDE LABOR AND MATERIAL WARRANTY

REFER TO DETAIL MHSM-3510 FOR FASCIA BAR INSTALLATION INSTRUCTIONS

**MULE-HIDE
PRODUCTS CO., INC.**

**MULE-HIDE PREMANUFACTURED
4" METAL FLEX FASCIA SYSTEM**

SYSTEMS:

ALL SYSTEMS

DETAIL NO.:

MHSM-3511

REVISION DATE: 01/2013