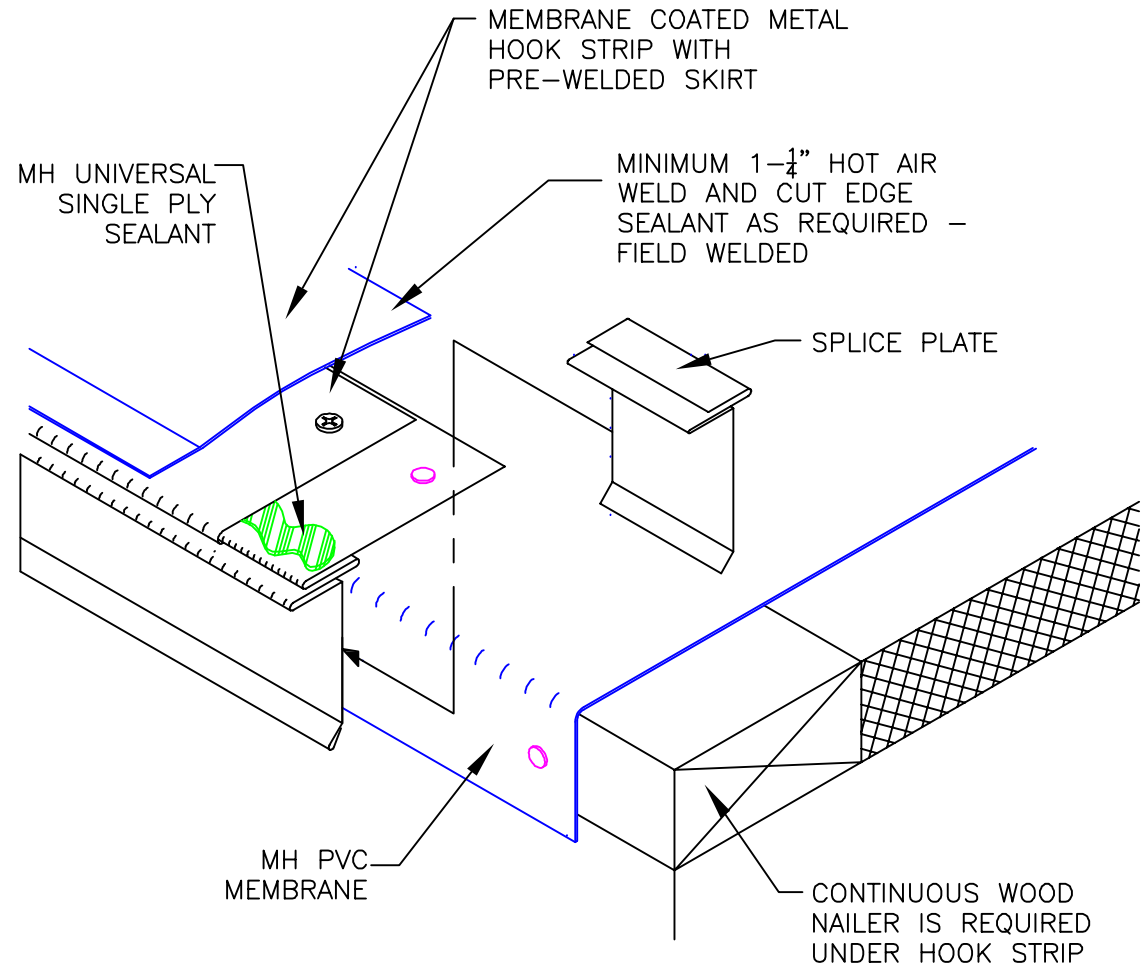


NOTES:

1. FASTEN THE T-EDGE BASE TO THE WOOD NAILER (ENOUGH TO HOLD IN PLACE) WITH GALVANIZED NAILS. BE SURE TO INSTALL A SPLICE PLATE BEHIND EACH SECTION OF T-EDGE.
2. ATTACH THE MEMBRANE COATED METAL HOOK STRIP TO THE T-EDGE BASE AND FASTEN IT 6" ON CENTER WITH APPROVED FASTENERS. BE SURE THAT THIS ROW OF FASTENERS ALSO PENETRATES THROUGH THE T-EDGE BASE. HOOK STRIPS MUST OVERLAP EACH OTHER BY 1". ALLOW FOR A  $\frac{1}{8}$ " GAP BETWEEN INDIVIDUAL SECTIONS OF THE T-EDGE BASE. STAGGER THE SEAMS BETWEEN THE BASE AND THE HOOK STRIP 12" MINIMUM.
3. A CONTINUOUS BEAD OF SEALANT IS REQUIRED BETWEEN THE MEMBRANE COATED METAL HOOK STRIP AND THE T-EDGE BASE.
4. A CLEAT IS REQUIRED ON FACES THAT ARE 4" OR GREATER IN SIZE. ALL FASTENERS ON THE CLEAT MUST BE WITHIN  $1-\frac{3}{4}$ " OF THE BOTTOM EDGE.
5. WELD THE SKIRT OF THE HOOK STRIP TO THE ROOF MEMBRANE.
6. USE STAINLESS STEEL FASTENERS WHEN ATTACHING INTO ACQ TREATED WOOD.



NOTE:

THIS DETAIL QUALIFIES TO BE INCLUDED IN ANY MULE-HIDE LABOR AND MATERIAL WARRANTY

**MULE-HIDE  
PRODUCTS CO., INC.**

**MULE-HIDE PREMANUFACTURED  
T-EDGE PLUS METAL EDGE DETAIL**

**SYSTEMS:**

**ALL PVC SYSTEMS**

**DETAIL NO.:**

**MHP-3555**

REVISION DATE: 01/2013