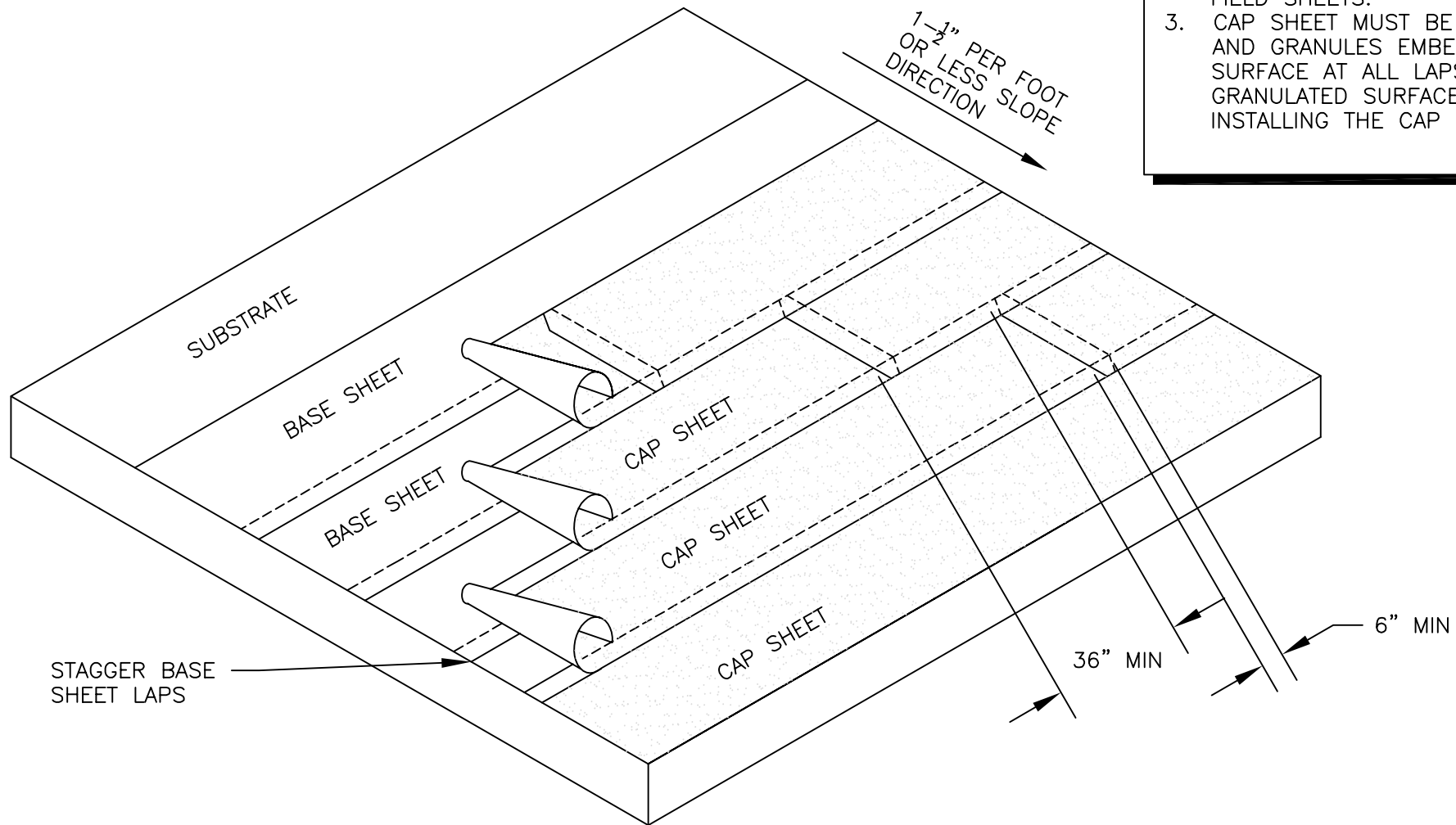


NOTES:

1. REFER TO SPECIFICATIONS FOR FLASHING MEMBRANE REQUIREMENTS.
2. LAPS IN BASE SHEETS MUST BE OFFSET FROM LAPS IN FIELD SHEETS.
3. CAP SHEET MUST BE HEATED AND GRANULES EMBEDDED IN SURFACE AT ALL LAPS OVER GRANULATED SURFACES WHEN INSTALLING THE CAP SHEET.



**MULE-HIDE
PRODUCTS CO., INC.**

**END LAPS
OPTION 1
SYSTEMS:**

APP MODIFIED BITUMEN

DETAIL NO.:

MHMB-UN-SE02T

REVISION DATE: MARCH 2015