

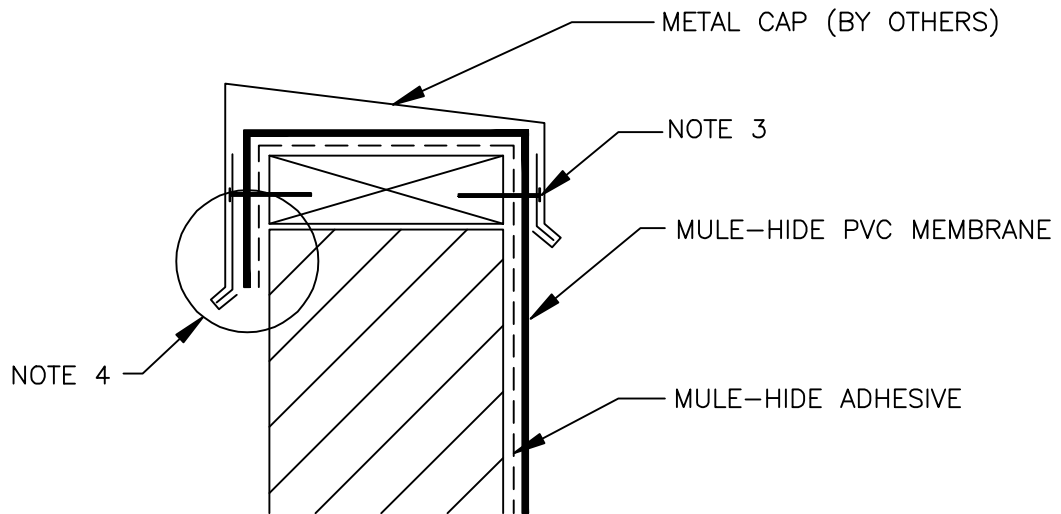
NOTES:

1. DETAILS TO BE USED IN CONJUNCTION WITH STANDARD GUIDE SPECIFICATIONS CONTAINING REQUIREMENTS FOR NAILERS, INSULATION, SLIPSHEETS, ETC.

2. PVC EDGE SEALANT IS REQUIRED ON ALL CUT OR NON-ENCAPSULATED EDGES OF REINFORCED MEMBRANE. THIS INCLUDES FACTORY CUT MEMBRANE.

3. FACE FASTENING WITH GROMMETTED FASTENERS SPACED 18" O.C. MAX ON INSIDE FACE OF METAL CAP IS ACCEPTABLE IN LIEU OF CONCELED CLIP.

4. OUTSIDE FACE OF METAL CAP AND PVC MEMBRANE TO EXTEND DOWN BELOW BOTTOM EDGE OF WOOD NAILER MINIMUM OF 1-1/2".



**MULE-HIDE  
PRODUCTS CO., INC.  
04/01/2007**

**METAL CAP TERMINATION  
SYSTEMS:  
ALL PVC**

**DETAIL NO:  
MHP-170**